

Overview

The BM8 series high torque stepper motors have a 1.8° step angle, NEMA 8 dimensions. They feature 4 leads but can be provided also with 6 or 8 leads upon request. Custom lead length adaptation is available.

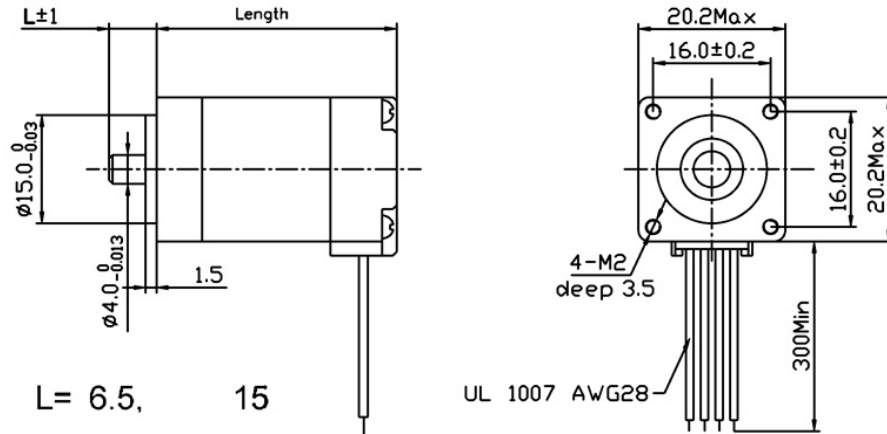


Specifications

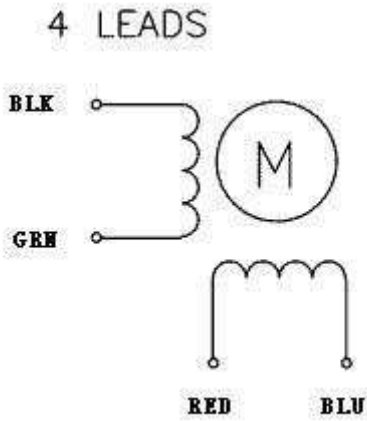
Model Number	Current / Phase	Resistance / Phase	Inductance / Phase	Holding Torque	Rotor Inertia	Weight	Length
	A	Ω	mH	g-cm (oz-in)	g-cm ²	kg	mm
BM8-2.5	0.6	6.5	1.7	180 (2.5)	2	0.06	30
BM8-4	0.8	5.4	1.5	288 (4)	3.6	0.08	42

Step Angle	1.8°
Step Angle Accuracy	±5% (full step, no load)
Resistance Accuracy	±10%
Inductance Accuracy	±20%
Temperature Rise	80°C max. (rated current, both phases on)
Ambient Temperature	-20°C ~ +50°C
Insulation Resistance	100MΩ min., 500VDC
Dielectric Strength	500VAC for one minute
Shaft Radial Play	0.02 max. (450 g load)
Shaft Axial Play	0.08 max. (450g load)
Direction of Rotation	CW (when viewing from the front flange)

Dimensions in mm



Connection



Torque Speed Curves

