



**MBR0560**

Preliminary

**DIODE**

**0.5 AMP SCHOTTKY  
RECTIFIER 20 to 100 VOLTS**

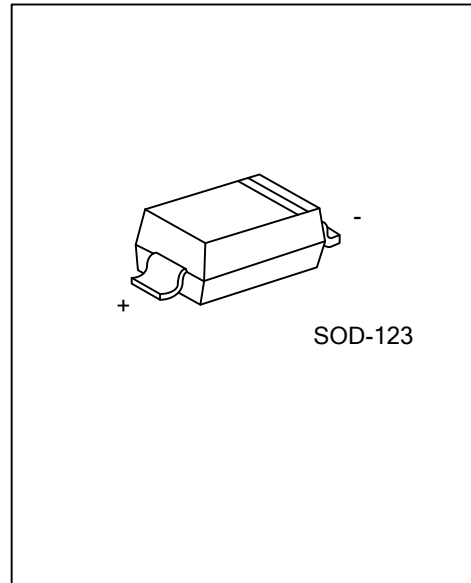
■ **DESCRIPTION**

The UTC **MBR0560** is a Schottky Rectifier with high current capacity, ultra low thermal resistance and low forward voltage.

The UTC **MBR0560** is suitable for surface mount applications.

■ **FEATURES**

- \* Ultra Low Thermal Resistance
- \* High Current Capability
- \* Low Forward Voltage



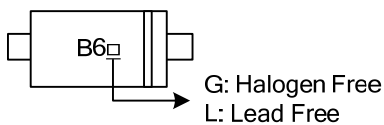
■ **ORDERING INFORMATION**

Ordering Number		Package	Pin Assignment		Packing
Lead Free	Halogen Free		1	2	
MBR0560L-CA2-R	MBR0560G-CA2-R	SOD-123	A	C	Tape Reel

Note: Pin assignment: A: Anode C: Cathode

<p>MBR0560L-AC2-R</p> <p>(1) Packing Type (2) Package Type (3) Lead Free</p>	<p>(1) R: Tape Reel (2) CA2: SOD-123 (3) G: Halogen Free, L: Lead Free</p>
--	--

■ **MARKING**



■ **ABSOLUTE MAXIMUM RATINGS** (@ 25°C, unless otherwise specified)

PARAMETER	SYMBOL	RATINGS	UNIT
Recurrent Peak Reverse Voltage	$V_{RRM}$	60	V
RMS Voltage	$V_{RMS}$	42	V
DC Blocking Voltage	$V_{DC}$	60	V
Operating Temperature	$T_{OPR}$	-55~+150	°C
Storage Temperature	$T_{STG}$	-55~+150	°C

Note: Absolute maximum ratings are those values beyond which the device could be permanently damaged. Absolute maximum ratings are stress ratings only and functional device operation is not implied.

■ **ELECTRICAL CHARACTERISTICS** (@ 25°C, unless otherwise specified)

PARAMETER	SYMBOL	TEST CONDITIONS	MIN	TYP	MAX	UNIT
Average Forward Current	$I_{F(AV)}$	$T_J=115^\circ\text{C}$		0.5		A
Peak Forward Surge Current	$I_{FSM}$	8.3ms half sine		5.5		A
Maximum Instantaneous Forward Voltage	$V_F$	$I_{FM}=0.5\text{A } T_A=25^\circ\text{C}$		0.70		V
Maximum DC Reverse Current At Rated DC Blocking Voltage	$I_R$	$T_J=25^\circ\text{C}$			0.2	mA
Typical Junction Capacitance	$C_J$	Measured at 1.0MHz, $V_R=4.0\text{ V}$		30		pF

UTC assumes no responsibility for equipment failures that result from using products at values that exceed, even momentarily, rated values (such as maximum ratings, operating condition ranges, or other parameters) listed in products specifications of any and all UTC products described or contained herein. UTC products are not designed for use in life support appliances, devices or systems where malfunction of these products can be reasonably expected to result in personal injury. Reproduction in whole or in part is prohibited without the prior written consent of the copyright owner. The information presented in this document does not form part of any quotation or contract, is believed to be accurate and reliable and may be changed without notice.