



BAV199

Preliminary

DIODE

DUAL SURFACE MOUNT LOW LEAKAGE DIODE

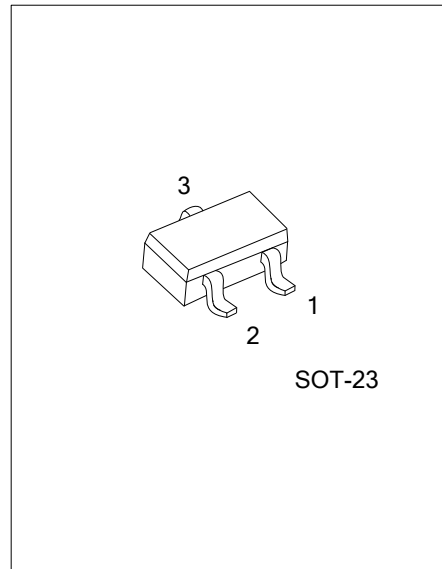
DESCRIPTION

The UTC **BAV199** is a dual surface mount diode providing the designers with extremely low leakage current.

The UTC **BAV199** is suitable for automatic insertion

FEATURES

* Extremely Low Leakage Current



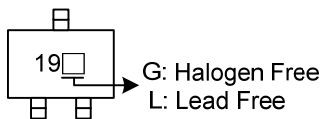
ORDERING INFORMATION

Ordering Number		Package	Pin Assignment			Packing
Lead Free	Halogen Free		1	2	3	
BAV199L-AE3-R	BAV199G-AE3-R	SOT-23	K1	A2	A1K2	Tape Reel

Note: Pin Assignment: A: Anode K: Cathode

<p>BAV199L-AE3-R</p> <ul style="list-style-type: none"> (1) Packing Type (2) Package Type (3) Lead Free 	<ul style="list-style-type: none"> (1) R: Tape Reel (2) AE3 : SOT-23 (3) Halogen Free, L: Lead Free
--	--

MARKING



■ **ABSOLUTE MAXIMUM RATINGS** ($T_A = 25^\circ\text{C}$, unless otherwise specified)

PARAMETER		SYMBOL	RATINGS	UNIT
Peak Repetitive Reverse Voltage		V_{RRM}	85	V
Working Peak Reverse Voltage		V_{RWM}	85	V
DC Blocking Voltage		V_R	85	V
RMS Reverse Voltage		$V_{R(RMS)}$	60	V
Forward Continuous Current	Single diode	I_{FM}	160	mA
	Double diode		140	
Repetitive Peak Forward Current		I_{FRM}	500	mA
Non-Repetitive Peak Forward Surge Current	@ $t = 1.0\mu\text{s}$	I_{FSM}	4.0	A
	@ $t = 1.0\text{ms}$		1.0	
	@ $t = 1.0\text{s}$		0.5	
Power Dissipation (Note 2)		P_D	250	mW
Junction Temperature		T_J	-65~+150	$^\circ\text{C}$
Storage Temperature		T_{STG}	-65~+150	$^\circ\text{C}$

Note: 1. Absolute maximum ratings are those values beyond which the device could be permanently damaged.

Absolute maximum ratings are stress ratings only and functional device operation is not implied.

2. Part mounted on FR-4 PC board with recommended pad layout

■ **THERMAL DATA**

PARAMETER	SYMBOL	RATINGS	UNIT
Thermal Resistance Junction to Ambient Air (Note 2)	θ_{JA}	500	$^\circ\text{C/W}$

■ **ELECTRICAL CHARACTERISTICS** ($T_A = 25^\circ\text{C}$, unless otherwise specified.)

PARAMETER	SYMBOL	TEST CONDITIONS	MIN	TYP	MAX	UNIT
Reverse Breakdown Voltage (Note 1)	$V_{(BR)R}$	$I_R = 100\mu\text{A}$	85			V
Forward Voltage (Note 1)	V_F	$I_F = 1.0\text{mA}$			0.90	V
		$I_F = 10\text{mA}$			1.0	
		$I_F = 50\text{mA}$			1.1	
		$I_F = 150\text{mA}$			1.25	
Leakage Current (Note 1)	I_R	$V_R = 75\text{V}$			5.0	nA
		$V_R = 75\text{V}, T_J = 150^\circ\text{C}$			80	
Total Capacitance	C_T	$V_R = 0, f = 1.0\text{MHz}$		2		pF
Reverse Recovery Time	t_{rr}	$I_F = I_R = 10\text{mA}, I_{rr} = 0.1 \times I_R,$ $R_L = 100\Omega$			3.0	μs

Note: 1. Short duration test pulse to minimize self-heating effect.

UTC assumes no responsibility for equipment failures that result from using products at values that exceed, even momentarily, rated values (such as maximum ratings, operating condition ranges, or other parameters) listed in products specifications of any and all UTC products described or contained herein. UTC products are not designed for use in life support appliances, devices or systems where malfunction of these products can be reasonably expected to result in personal injury. Reproduction in whole or in part is prohibited without the prior written consent of the copyright owner. The information presented in this document does not form part of any quotation or contract, is believed to be accurate and reliable and may be changed without notice.