



# UTT15P06

Preliminary

Power MOSFET

## 15A, 60V P-CHANNEL POWER MOSFET

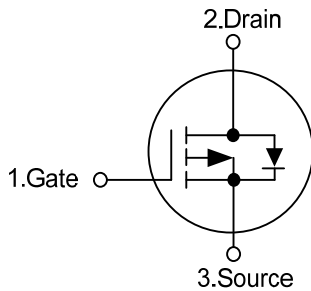
### DESCRIPTION

The UTC UTT15P06 is a P-channel power MOSFET using UTC's advanced technology to provide the customers with high switching speed, cost-effectiveness and minimum on-state resistance. It can also withstand high energy in the avalanche.

### FEATURES

- \*  $R_{DS(ON)}=90m\Omega$   $V_{GS}=-10V$ ,  $I_D=-15A$
- \* High Switching Speed

### SYMBOL

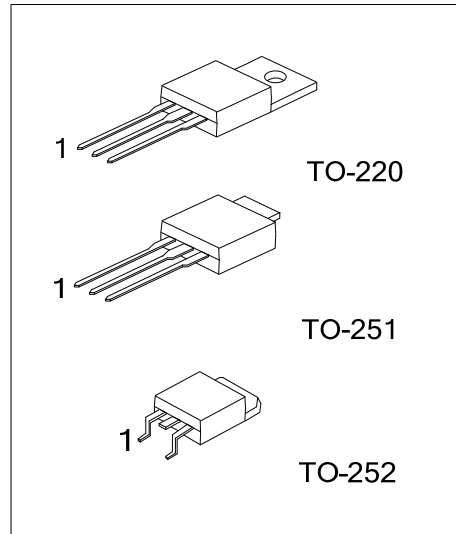


### ORDERING INFORMATION

Ordering Number		Package	Pin Assignment			Packing
Lead Free	Halogen Free		1	2	3	
UTT15P06L-TA3-T	UTT15P06G-TA3-T	TO-220	G	D	S	Tube
UTT15P06L-TM3-T	UTT15P06G-TM3-T	TO-251	G	D	S	Tube
UTT15P06L-TN3-T	UTT15P06G-TN3-T	TO-252	G	D	S	Tube
UTT15P06L-TN3-R	UTT15P06G-TN3-R	TO-252	G	D	S	Tape Reel

Note: Pin Assignment: G: Gate D: Drain S: Source

<p>UTT15P06L-TA3-T</p> <p>(1)Packing Type</p> <p>(2)Package Type</p> <p>(3)Lead Free</p>	<p>(1) T: Tube, R: Tape Reel</p> <p>(2) TA3: TO-220, TM3: TO-251, TN3: TO-252</p> <p>(3) L: Lead Free, G: Halogen Free</p>
--	--



### ■ ABSOLUTE MAXIMUM RATINGS (T<sub>C</sub>=25°C, unless otherwise specified)

PARAMETER		SYMBOL	RATINGS	UNIT
Drain-Source Voltage		V <sub>DSS</sub>	-60	V
Gate-Source Voltage		V <sub>GSS</sub>	±25	V
Drain Current	Continuous	I <sub>D</sub>	-15	A
	Pulsed	I <sub>DM</sub>	-45	A
Power Dissipation	TO-220	P <sub>D</sub>	40	W
	TO-251/TO-252		31.3	
Junction Temperature		T <sub>J</sub>	+150	°C
Storage Temperature		T <sub>STG</sub>	-55~+150	°C

Note: Absolute maximum ratings are those values beyond which the device could be permanently damaged. Absolute maximum ratings are stress ratings only and functional device operation is not implied.

### ■ THERMAL DATA

PARAMETER		SYMBOL	RATINGS	UNIT
Junction to Ambient (Steady state)		θ <sub>JA</sub>	62	°C/W
Junction to Case	TO-220	θ <sub>JC</sub>	3.125	°C/W
	TO-251/TO-252		4	

### ■ ELECTRICAL CHARACTERISTICS (T<sub>J</sub>=25°C, unless otherwise specified)

PARAMETER		SYMBOL	TEST CONDITIONS	MIN	TYP	MAX	UNIT	
<b>OFF CHARACTERISTICS</b>								
Drain-Source Breakdown Voltage		BV <sub>DSS</sub>	I <sub>D</sub> =-250μA, V <sub>GS</sub> =0V	-60			V	
Drain-Source Leakage Current		I <sub>DSS</sub>	V <sub>DS</sub> =-60V, V <sub>GS</sub> =0V			-1	μA	
Gate-Source Leakage Current	Forward	I <sub>GSS</sub>	V <sub>GS</sub> =+25V, V <sub>DS</sub> =0V			+100	nA	
	Reverse		V <sub>GS</sub> =-25V, V <sub>DS</sub> =0V			-100	nA	
<b>ON CHARACTERISTICS</b>								
Gate Threshold Voltage		V <sub>GS(TH)</sub>	V <sub>DS</sub> =V <sub>GS</sub> , I <sub>D</sub> =-250μA	-1		-3	V	
Static Drain-Source On-State Resistance		R <sub>DS(ON)</sub>	V <sub>GS</sub> =-10V, I <sub>D</sub> =-15A (Note 1)			90	mΩ	
<b>DYNAMIC PARAMETERS (Note 2)</b>								
Input Capacitance		C <sub>ISS</sub>	V <sub>GS</sub> =0V, V <sub>DS</sub> =-25V, f=1.0MHz (Note 2)		1100	2660	pF	
Output Capacitance		C <sub>OSS</sub>				115		pF
Reverse Transfer Capacitance		C <sub>RSS</sub>				90		pF
<b>SWITCHING PARAMETERS</b>								
Total Gate Charge		Q <sub>G</sub>	V <sub>GS</sub> =-10V, V <sub>DS</sub> =-30V, I <sub>D</sub> =-15A (Note 3)		14	27	nC	
Gate to Source Charge		Q <sub>GS</sub>				3		nC
Gate to Drain Charge		Q <sub>GD</sub>				8		nC
Turn-ON Delay Time		t <sub>D(ON)</sub>	V <sub>DD</sub> =-30V, I <sub>D</sub> =-1A, R <sub>G</sub> =12.5Ω (Note 3)		16		ns	
Rise Time		t <sub>R</sub>				30		ns
Turn-OFF Delay Time		t <sub>D(OFF)</sub>				50		ns
Fall-Time		t <sub>F</sub>				20		ns
<b>SOURCE- DRAIN DIODE RATINGS AND CHARACTERISTICS (T<sub>C</sub>=25°C) (Note 2)</b>								
Maximum Body-Diode Continuous Current		I <sub>S</sub>				-15	A	
Maximum Body-Diode Pulsed Current		I <sub>SM</sub>				-45	A	
Drain-Source Diode Forward Voltage		V <sub>SD</sub>	I <sub>F</sub> =-15A, V <sub>GS</sub> =0V (Note 1)		-1.0	-1.5	V	

Notes: 1. Pulse test; pulse width ≤ 300 μs, duty cycle ≤ 2 %.

2. Guaranteed by design, not subject to production testing.

3. Independent of operating temperature.

UTC assumes no responsibility for equipment failures that result from using products at values that exceed, even momentarily, rated values (such as maximum ratings, operating condition ranges, or other parameters) listed in products specifications of any and all UTC products described or contained herein. UTC products are not designed for use in life support appliances, devices or systems where malfunction of these products can be reasonably expected to result in personal injury. Reproduction in whole or in part is prohibited without the prior written consent of the copyright owner. The information presented in this document does not form part of any quotation or contract, is believed to be accurate and reliable and may be changed without notice.