

UTC PC1031 LINEAR INTEGRATED CIRCUIT

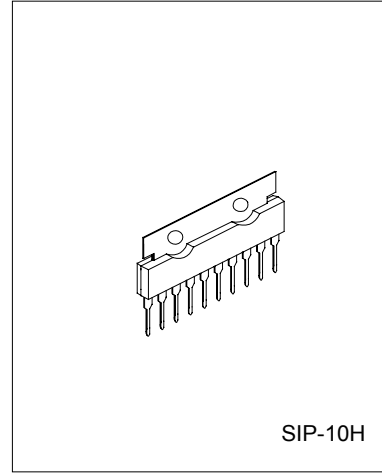
TV HORIZONTAL DEFLECTION CIRCUIT

DESCRIPTION

UTC PC1031 is designed for B/W TV and small screen color TV. It generates deflection signal and drives deflection coil.

FEATURES

- *Low external components required
- *Wide operating supply voltage(9V-18V)
- *Adjustable synchronous input range
- *Adjustable blanking voltage
- *Large output current(2AP-P)
- *Built in adjustable fly-back time



SIP-10H

APPLICATION CIRCUIT

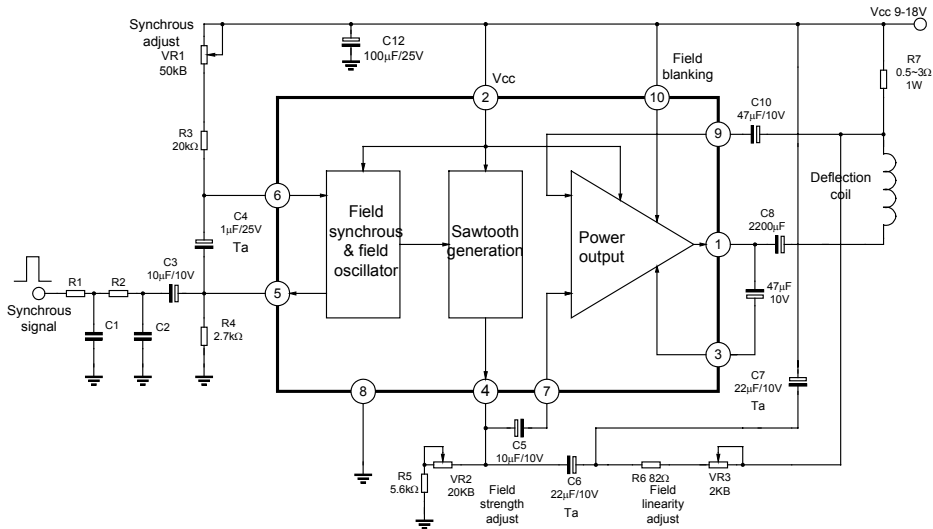


Fig 1

UTC PC1031 LINEAR INTEGRATED CIRCUIT

ABSOLUTE MAXIMUM RATINGS(Ta=25°C)

PARAMETER	SYMBOL	VALUE	UNIT
Supply Voltage	VCC	20	V
Output Current	IP-P	2	AP-P
Power Dissipation	PD1	1.5(Ta=+75°C)	W
Power dissipation	PD2	2.15(Ta=+75°C) With heat sink (31.6 x 31.6 x 1mm ³)	W
Operating temperature	TOPR	-20 ~ +75	°C
Storage Temp.	TSTG	-40 ~ +150	°C

ELECTRICAL CHARACTERISTICS(VCC=12V,Ta=25°C)

PARAMETER	SYMBOL	TEST CONDITIONS	MIN	TYP	MAX	UNIT	FIG
Supply Current	ICC	No signal input and load	15	30	46	mA	2
Output Voltage	VN	No signal input and load	5.6	6.0	6.4	V	2
Field osc Frequency	fV	Synchronization voltage on Pin 5 is 1.3VP-P	—	50/60	—	HZ	2
Free osc Frequency	fVO	Cosc=1μF Ta, Rosc=38.1KΩ	53	60	67	HZ	2
Synchronization Input Range	Δf(PULL)	Synchronization voltage on Pin 5 is 1.3VP-P	-10	-12	—	HZ	2
Free osc Frequency Change with Supply Voltage	ΔfVO	fVO=60HZ,VCC=12V fVO deviation for +-2V change of Vcc	—	—	+1.0	HZ	2
Synchronization Range deviation with Supply Voltage	Δf(PULL) VCC	VCC is +-2V deviated from 12V	—	—	+3.0	HZ	2
Output Saturation Voltage	VSAT	Io=0.7A	—	1.3	1.6	V	2
Pin 4 Output Pulse Width	tO	Cosc=1μ F Ta, Rosc=38.1KΩ	300	420	600	μsec	2

UTCPC1031 LINEAR INTEGRATED CIRCUIT

UTC assumes no responsibility for equipment failures that result from using products at values that exceed, even momentarily, rated values (such as maximum ratings, operating condition ranges, or other parameters) listed in products specifications of any and all UTC products described or contained herein. UTC products are not designed for use in life support appliances, devices or systems where malfunction of these products can be reasonably expected to result in personal injury. Reproduction in whole or in part is prohibited without the prior written consent of the copyright owner. The information presented in this document does not form part of any quotation or contract, is believed to be accurate and reliable and may be changed without notice.