

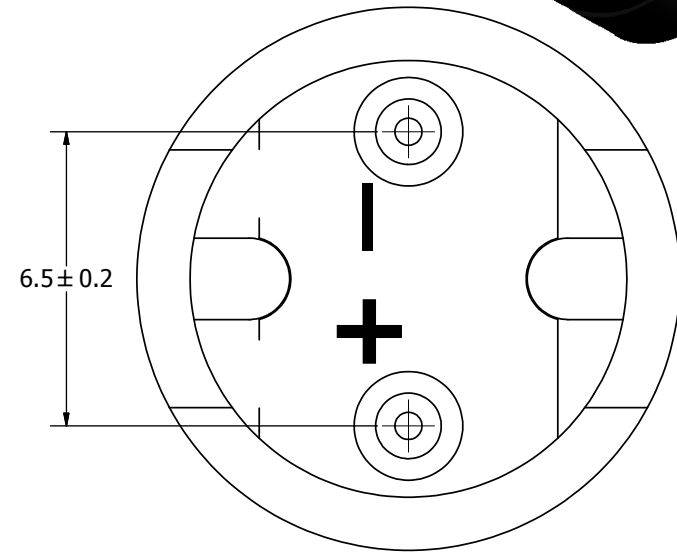
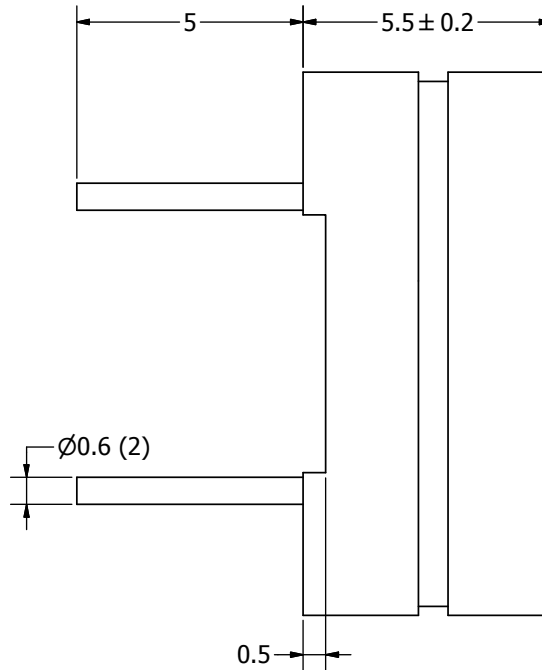
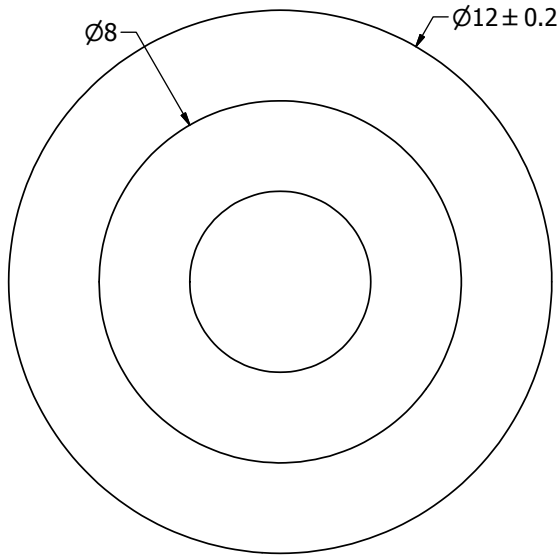
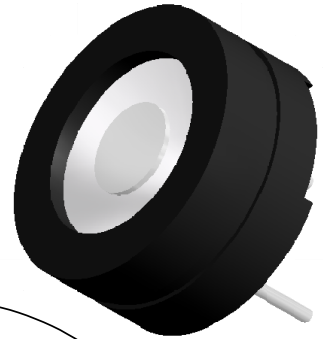
# SPECIFICATIONS

PARAMETERS	VALUES	UNITS
RATED VOLTAGE (SQUARE WAVE)	1.5	Vp-p
OPERATING VOLTAGE RANGE	1 ~ 3	Vp-p
RATED CURRENT (MAX)	30	mA
COIL RESISTANCE	16 ± 4	OHM
MINIMUM SPL @ 10 CM	75	dB
RESONANT FREQUENCY	2,048 ± 500	Hz
OPERATING TEMPERATURE	-20 ~ +70	°C
STORAGE TEMPERATURE	-30 ~ +85	°C
HOUSING MATERIAL	NORYL	-
TERMINAL MATERIAL	Sn PLATED COPPER	-
WEIGHT	2	grams

THIS DOCUMENT CONTAINS DATA PROPRIETARY TO PROJECTS UNLIMITED, INC. ANY USE OR REPRODUCTION, IN ANY FORM, WITHOUT PRIOR WRITTEN PERMISSION OF PROJECTS UNLIMITED, INC. IS PROHIBITED.  
©2003, Projects Unlimited Inc.

# REVISION HISTORY

LTR	DESCRIPTION	DATE	APPROVED
-	RELEASED FROM ENGINEERING	8/19/2004	
A	MOVED SOUND EMISSION HOLE DIMENSION	8/23/2004	R.W.
B	REVISED PART No.	9/2/2004	R.W.
C	REMOVED LEAD FREE ADDED RoHS NOTE	8/10/2005	
D	REVISED TERMINAL MATERIAL	3/21/2006	
E	REVISED TO INVENTOR 3-D DRAWING TEMPLATE	3/31/2008	B.R.



### NOTES:

1. ALL DIMENSIONS ARE IN MILLIMETERS.
2. SPECIFICATIONS SUBJECT TO CHANGE OR WITHDRAWAL WITHOUT NOTICE.
3. THIS PART IS RoHS 2002/95/EC COMPLIANT.

UNLESS OTHERWISE SPECIFIED: DIMENSIONS ARE IN MILLIMETERS, TOLERANCES ARE ±0.5 AND ANGLES ARE ±3°.	SIZE	Designed by	Date	Checked by	Date	Approved by	Date	Drawn Date		
	A3	R.A.C.	8/19/2004			R.W.	8/19/2004	3/31/2008		
AT-1220-TT-2-R.idw		 <b>pui audio</b> a projects unlimited company		<h2>AT-1220-TT-2-R</h2>			Transducer (Electro-Mech)		Edition -	Sheet 1 / 1