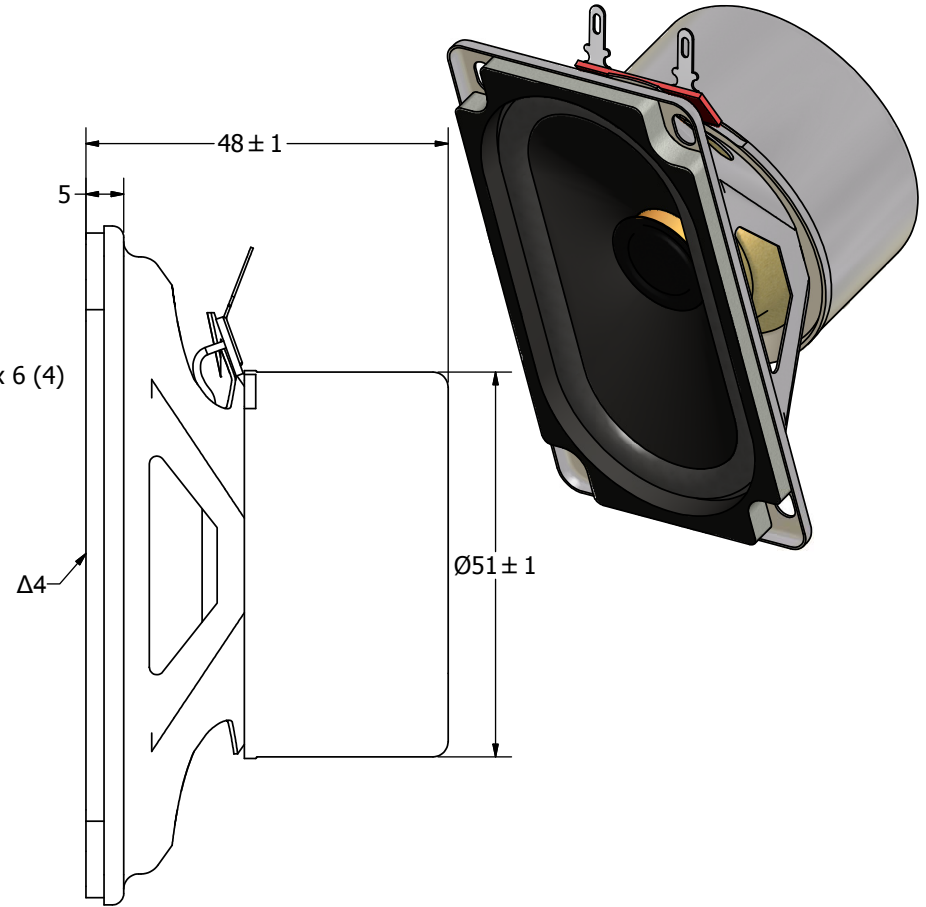
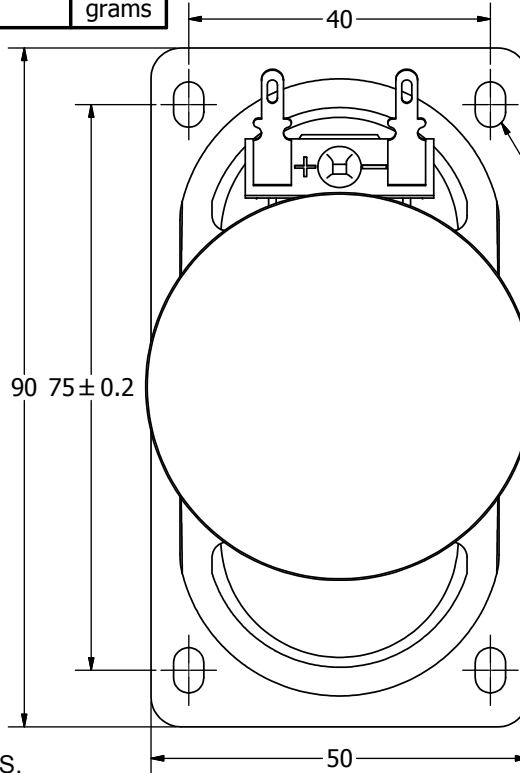


| SPECIFICATIONS | | |
|-----------------------|---------------|-------|
| PARAMETERS | VALUES | UNITS |
| RATED INPUT POWER | 5 | W |
| MAX INPUT POWER | 7 | W |
| IMPEDANCE | 8 ± 15% | OHM |
| OUTPUT SPL @ 1W/1M | 88 ± 3 | dB |
| DISTORTION (MAX.) | 7% | - |
| RESONANT FREQUENCY | 180 ± 20% | Hz |
| FREQUENCY RANGE | 180 ~ 15,000 | Hz |
| HOUSING MATERIAL | METAL | - |
| CONE MATERIAL | TREATED PAPER | - |
| MAGNET MATERIAL | FERRITE | - |
| OPERATING TEMPERATURE | -10 ~ +55 | °C |
| WEIGHT | 220 | grams |


THIS DOCUMENT CONTAINS DATA PROPRIETARY TO PROJECTS UNLIMITED, INC. ANY USE OR REPRODUCTION, IN ANY FORM, WITHOUT PRIOR WRITTEN PERMISSION OF PROJECTS UNLIMITED, INC. IS PROHIBITED.
©2003, Projects Unlimited Inc.

| REVISION HISTORY | | | |
|------------------|--|-----------|----------|
| LTR | DESCRIPTION | DATE | APPROVED |
| - | RELEASED FROM ENGINEERING | 9/25/2006 | |
| A | REVISED TO INVENTOR 3-D DRAWING TEMPLATE | 2/02/2009 | B.R. |



NOTES:

1. ALL DIMENSIONS ARE IN MILLIMETERS.
2. SPECIFICATIONS SUBJECT TO CHANGE OR WITHDRAWL WITHOUT NOTICE.
3. THIS PART IS RoHS 2002/95/EC COMPLIANT.
- Δ4. CONE HAS BEEN TREATED FOR WATER RESISTANCE.

| | | | | | | | | |
|--|------|--------------------|-----------|---|-----------|----------------|-----------|------------|
| UNLESS OTHERWISE SPECIFIED: DIMENSIONS ARE IN MILLIMETERS, TOLERANCES ARE ±0.5 AND ANGLES ARE ±3°. | SIZE | Designed by | Date | Checked by | Date | Approved by | Date | Drawn Date |
| | A3 | J.D. | 9/25/2006 | B.R. | 9/25/2006 | R.W. | 9/25/2006 | 2/2/2009 |
| | | AS09008PO-WR-R.idw | |  | | AS09008PO-WR-R | | Edition |
| | | | | Speaker | | - | 1 / 1 | |