

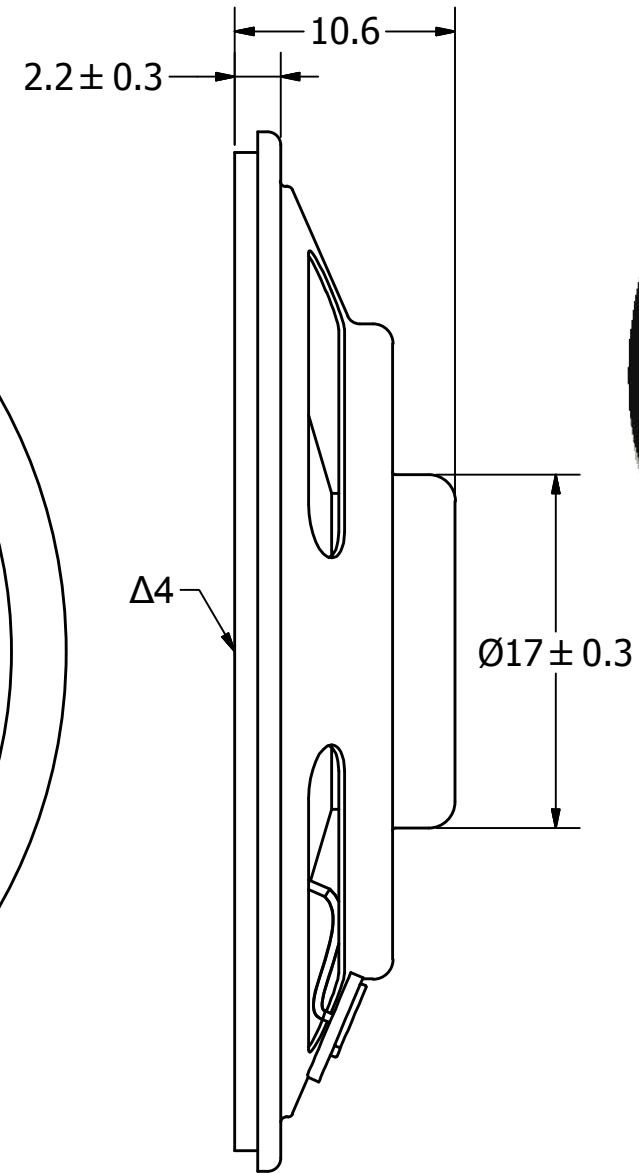
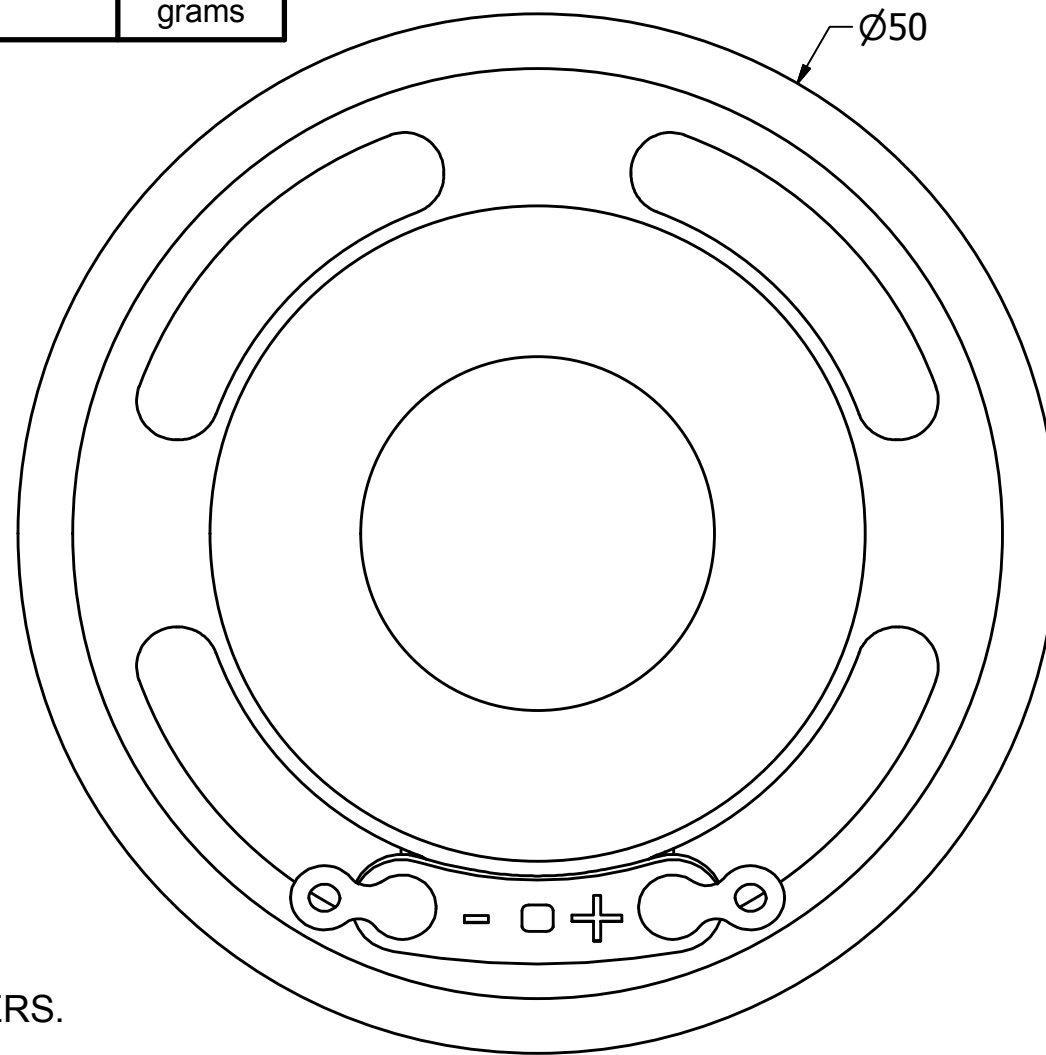
SPECIFICATIONS

| PARAMETERS | VALUES | UNITS |
|---|---------------|-------|
| RATED INPUT POWER | 1.5 | W |
| MAX INPUT POWER | 3 | W |
| IMPEDANCE | 4 ± 15% | OHM |
| OUTPUT SPL @ 1W/1M (AT 1.0, 1.2, 1.5, 2.0 kHz) | 85 ± 3 | dBA |
| DISTORTION (MAX.) | 5% | - |
| RESONANT FREQUENCY | 800 ± 20% | Hz |
| FREQUENCY RANGE | 800 ~ 5,000 | Hz |
| HOUSING MATERIAL | METAL | - |
| CONE MATERIAL | TREATED PAPER | - |
| MAGNET MATERIAL | N35 | - |
| OPERATING TEMPERATURE | -25 ~ +65 | °C |
| WEIGHT | 15 | grams |

THIS DOCUMENT CONTAINS DATA PROPRIETARY TO PROJECTS UNLIMITED, INC. ANY USE OR REPRODUCTION, IN ANY FORM, WITHOUT PRIOR WRITTEN PERMISSION OF PROJECTS UNLIMITED, INC. IS PROHIBITED.
©2003, Projects Unlimited Inc.

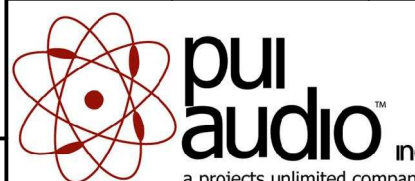
REVISION HISTORY

| LTR | DESCRIPTION | DATE | APPROVED |
|-----|--|-----------|----------|
| - | RELEASED FROM ENGINEERING | 5/15/2006 | |
| A | REVISED TO INVENTOR 3-D DRAWING TEMPLATE | 1/6/2009 | B.R. |
| B | ADDED NOTE 5 | 8/12/2011 | B.R. |



NOTES:

1. ALL DIMENSIONS ARE IN MILLIMETERS.
2. SPECIFICATIONS SUBJECT TO CHANGE OR WITHDRAWL WITHOUT NOTICE.
3. THIS PART IS RoHS 2002/95/EC COMPLIANT.
- Δ4. CONE HAS BEEN TREATED FOR WATER RESISTANCE.
5. BASE SPEAKER PUI# AS05004PR-2-R.

| | | | | | | | | |
|--|-------------------|--|-----------|------------------------------------|-----------|-------------|-----------|------------|
| UNLESS OTHERWISE SPECIFIED: DIMENSIONS ARE IN MILLIMETERS, TOLERANCES ARE ±0.5 AND ANGLES ARE ±3°. | SIZE A3 | Designed by | Date | Checked by | Date | Approved by | Date | Drawn Date |
| | | J.D. | 5/15/2006 | E.P. | 5/18/2006 | B.R. | 5/18/2006 | 1/6/2009 |
| AS05004PR-2-WR-R.idw | |  pui audio a projects unlimited company | | AS05004PR-2-WR-R Speaker | | | Edition | Sheet |
| | | | | | | | - | 1 / 1 |