

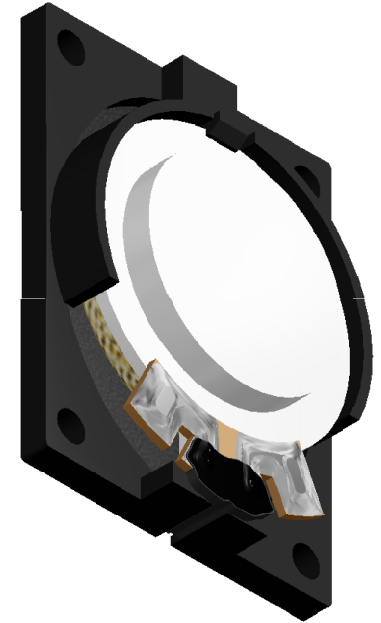
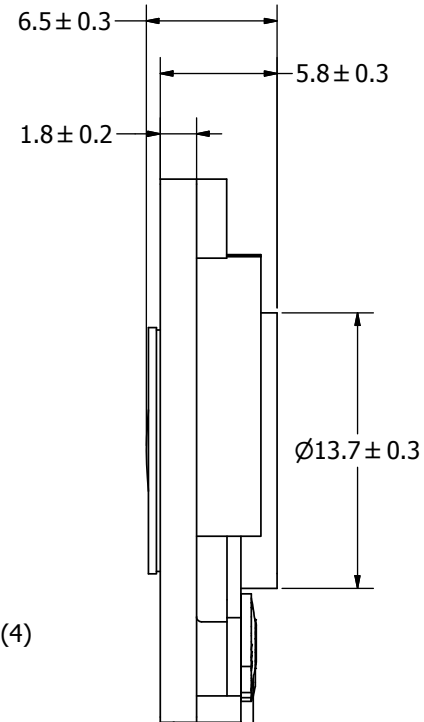
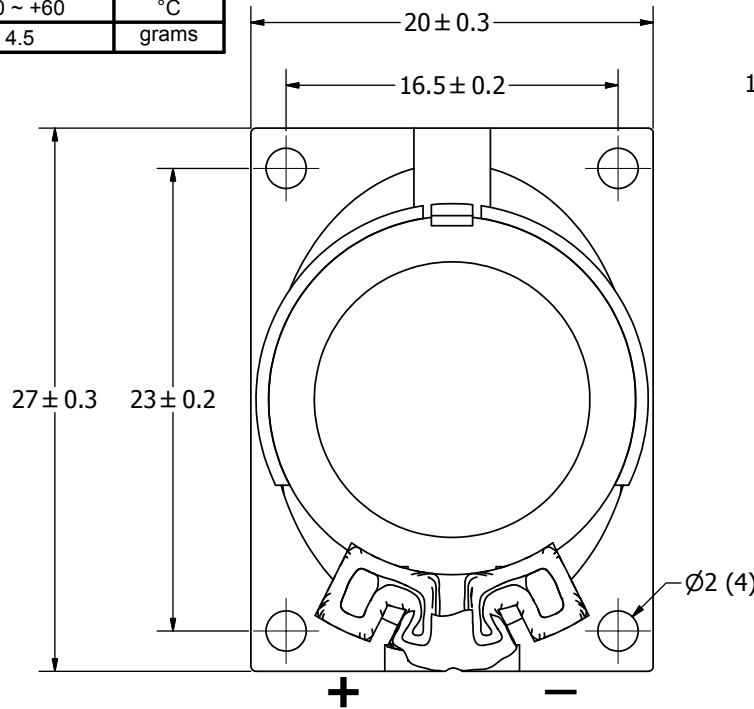
SPECIFICATIONS

| PARAMETERS | VALUES | UNITS |
|---|--------------|-------|
| RATED INPUT POWER | 1 | W |
| MAX INPUT POWER | 3 | W |
| IMPEDANCE | 8 ± 15% | OHM |
| OUTPUT SPL @ 1W/0.5M (AT 0.8, 1.0, 1.2, 1.5 kHz) | 80 ± 3 | dBA |
| DISTORTION (MAX.) | 5% | - |
| RESONANT FREQUENCY | 550 ± 20% | Hz |
| FREQUENCY RANGE | 550 ~ 20,000 | Hz |
| HOUSING MATERIAL | ABS | - |
| CONE MATERIAL | CLOTH | - |
| MAGNET MATERIAL | Nd-Fe-B | - |
| OPERATING TEMPERATURE | -20 ~ +60 | °C |
| WEIGHT | 4.5 | grams |

THIS DOCUMENT CONTAINS DATA PROPRIETARY TO PROJECTS UNLIMITED, INC. ANY USE OR REPRODUCTION, IN ANY FORM, WITHOUT PRIOR WRITTEN PERMISSION OF PROJECTS UNLIMITED, INC. IS PROHIBITED.
©2003, Projects Unlimited Inc.

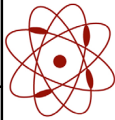
REVISION HISTORY

| LTR | DESCRIPTION | DATE | APPROVED |
|-----|--|------------|----------|
| - | RELEASED FROM ENGINEERING | 10/3/2006 | |
| A | REVISED FREQUENCY RANGE AND WIDTH | 12/12/2006 | R.W. |
| B | REVISED TO INVENTOR 3-D DRAWING TEMPLATE | 11/5/2008 | B.R. |



NOTES:

1. ALL DIMENSIONS ARE IN MILLIMETERS.
2. SPECIFICATIONS SUBJECT TO CHANGE OR WITHDRAWAL WITHOUT NOTICE.
3. THIS PART IS RoHS 2002/95/EC COMPLIANT.

| | | | | | | | | |
|--|------|--|-----------|------------|---------------------------------|-------------|-----------|------------|
| UNLESS OTHERWISE SPECIFIED: DIMENSIONS ARE IN MILLIMETERS, TOLERANCES ARE ±0.5 AND ANGLES ARE ±3°. | SIZE | Designed by | Date | Checked by | Date | Approved by | Date | Drawn Date |
| | A3 | J.D. | 10/3/2006 | B.R. | 10/3/2006 | R.W. | 10/3/2006 | 11/5/2008 |
| AS02708CO-2-R.idw | |  pui audio a projects unlimited company | | | AS02708CO-2-R Speaker | | | |
| | | | | | | | Edition | Sheet |
| | | | | | | | - | 1 / 1 |