

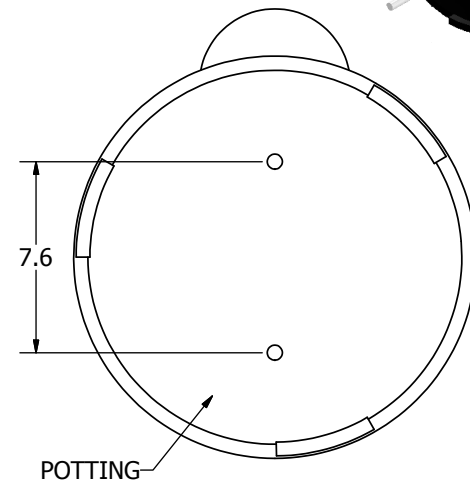
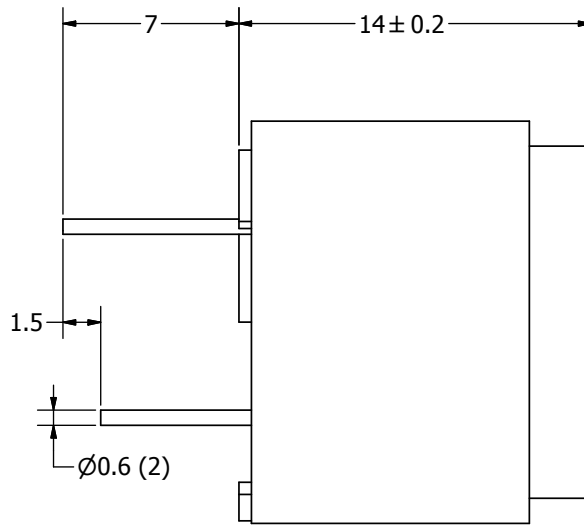
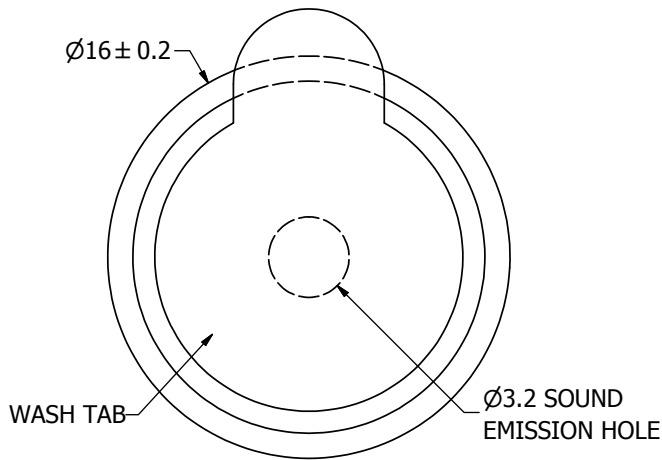
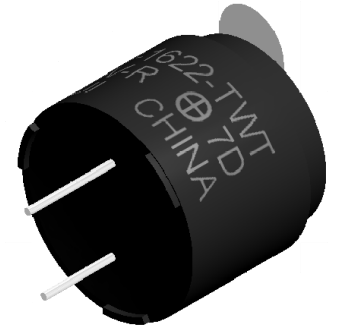
SPECIFICATIONS

PARAMETERS	VALUES	UNITS
RATED VOLTAGE	5	Vdc
OPERATING VOLTAGE RANGE	4 ~ 8	Vdc
RATED CURRENT (MAX)	30	mA
MINIMUM SPL @ 10 CM	85	dBA
RESONANT FREQUENCY	2,200 ± 300	Hz
TONE OR PULSE RATE	CONTINUOUS	0 pulse /sec
OPERATING TEMPERATURE	-20 ~ +70	°C
STORAGE TEMPERATURE	-30 ~ +80	°C
HOUSING MATERIAL	NORYL	-
TERMINAL MATERIAL	Sn PLATED COPPER	-
WEIGHT	7	grams

THIS DOCUMENT CONTAINS DATA PROPRIETARY TO PROJECTS UNLIMITED, INC. ANY USE OR REPRODUCTION, IN ANY FORM, WITHOUT PRIOR WRITTEN PERMISSION OF PROJECTS UNLIMITED, INC. IS PROHIBITED.
©2003, Projects Unlimited Inc.

REVISION HISTORY

LTR	DESCRIPTION	DATE	APPROVED
-	RELEASED FROM ENGINEERING	8/19/2004	
A	REVISED RoHS STATEMENT	5/27/2005	B.R.
B	REVISED DIMENSION SIZE AND STYLE	11/21/2005	B.R.
C	REVISED TERMINAL MATERIAL	3/20/2006	B.R.
D	REVISED TO INVENTOR 3-D DRAWING TEMPLATE	12/5/2007	B.R.



NOTES:

1. ALL DIMENSIONS ARE IN MILLIMETERS.
2. SPECIFICATIONS SUBJECT TO CHANGE OR WITHDRAWAL WITHOUT NOTICE.
3. THIS PART IS RoHS 2002/95/EC COMPLIANT.

UNLESS OTHERWISE SPECIFIED: DIMENSIONS ARE IN MILLIMETERS, TOLERANCES ARE ±0.5 AND ANGLES ARE ±3°.	SIZE A3	Designed by	Date	Checked by	Date	Approved by	Date	Drawn Date		
		R.A.C.	8/19/2004			R.W.	8/19/2004	12/5/2007		
AI-1622-TWT-5V-R.idw				AI-1622-TWT-5V-R			Indicator		Edition -	Sheet 1 / 1