

DESCRIPTION: POWER / SIGNAL - RIGHT ANGLE - MALE - MACHINED - IP67

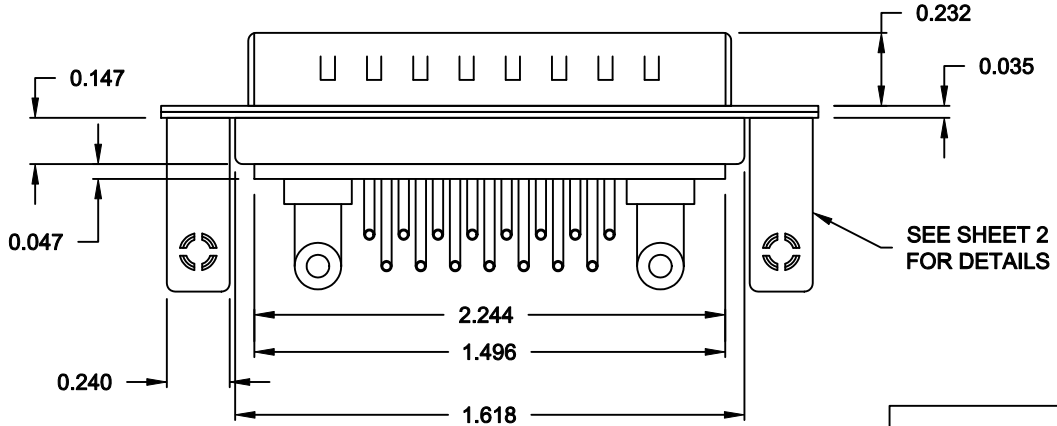
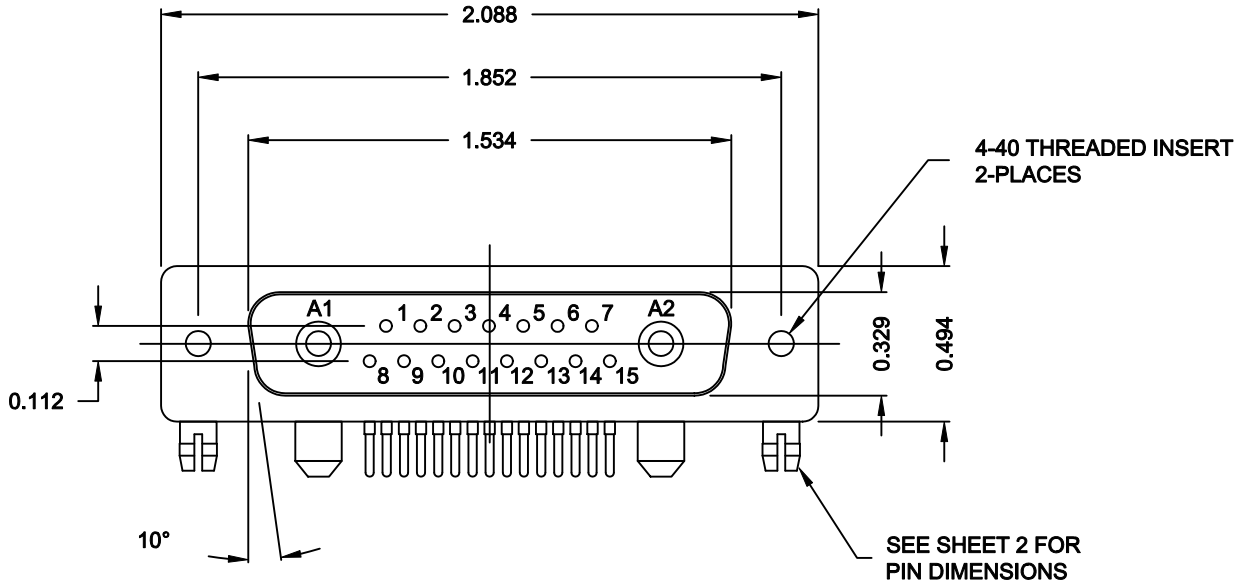
SPECIFICATIONS:

ELECTRICAL:
 INSULATOR RESISTANCE: 5,000 MegOHMS Min.
 DIELECTRIC WITHSTANDING: 1,000VAC r.m.s.
 OPERATING TEMPERATURE: -55° C ~ +125° C
 CONTACT RESISTANCE: 30 MillioHMS Max.
 POWER PINS: 40 AMPS
 SIGNAL PINS: 5 AMPS

MECHANICAL:
 CONTACT INSERTION FORCE: 4.5 Kg Max.
 CONTACT SEPARATOR FORCE: 0.3Kg Min.

MATERIALS:
 CONTACTS: BRASS
 INSULATOR: PBT UL94V-0 RATED, 230°C PROCESS TEMP.
 SHELL: STEEL
 BOARD LOCK: BRASS, NICKEL PLATED
 CINCHNUT: BRASS, NICKEL PLATED
 BRACKET: STEEL, NICKEL PLATED
 SEALING MATERIAL: F08 FLEXIBLE ADHESIVE

FINISH:
 SHELL: NICKEL




684S17W2103L461

46 = 4-40 INSERTS / BOARD LOCKS

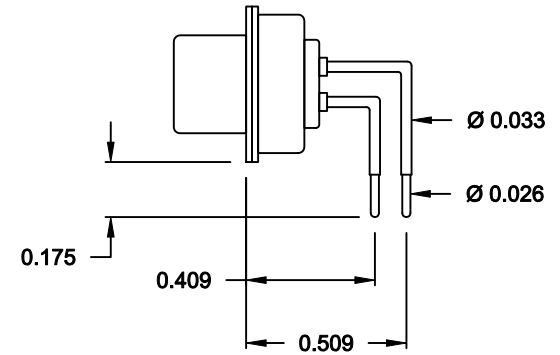
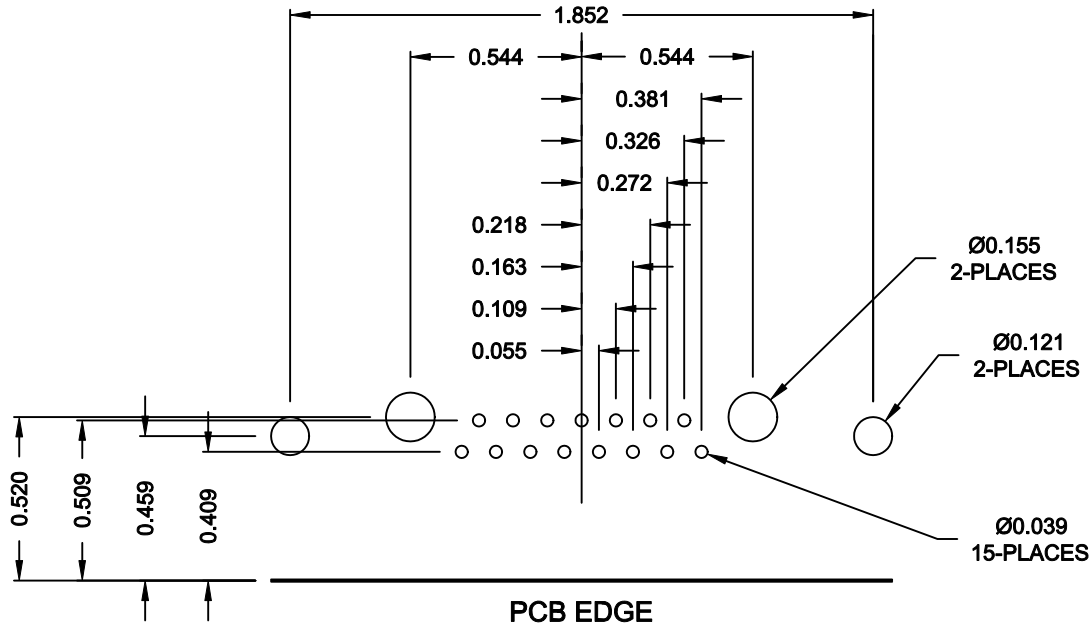
MEETS IP67 STANDARDS
 (SEE PAGE 2 FOR SEALING DETAILS)

RoHS COMPLIANT

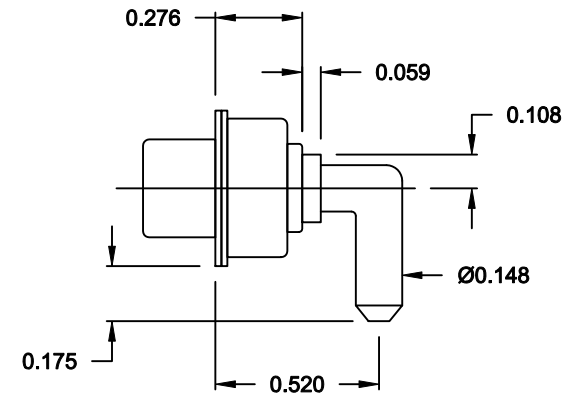
| | | | | | |
|--|---|--|-------------------------|----------------------------|--------------|
|  | THESE DRAWINGS AND SPECIFICATIONS ARE THE PROPERTY OF NorComp AND SHALL NOT BE REPRODUCED, COPIED OR USED AS THE BASIS FOR THE MANUFACTURE OR SALE OF APPARATUS WITHOUT WRITTEN PERMISSION. | | DRAWN: M. SIGMON | DATE: 05-22-12 | |
| | <h1>NorComp</h1> | | | CHECKED: | DATE: |
| SCALE: 1.5 = 1 | | | | SHEET 1 OF 3 | REV 0 |
| DWG NO. 684S17W2103L461 | | | | | |

DESCRIPTION: 684 SERIES CONTACTS

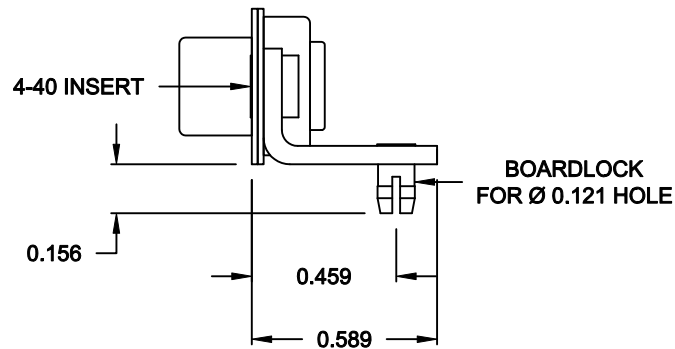
NOTE:
POWER CONTACTS COME
PRE-LOADED INTO INSULATORS



SIGNAL CONTACTS



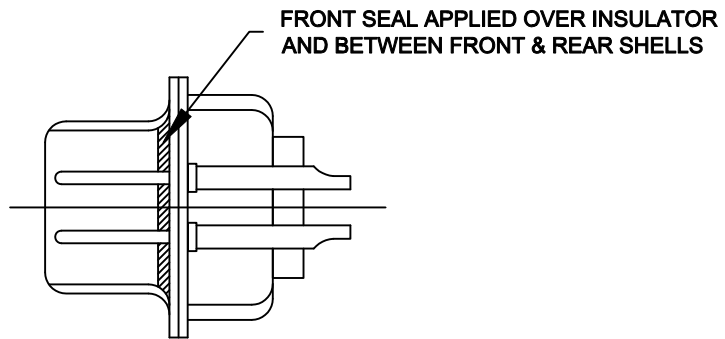
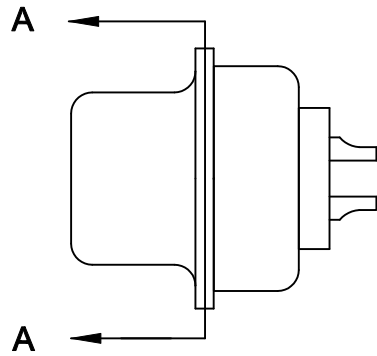
40 AMP POWER CONTACT




MOUNTING HARDWARE

RoHS COMPLIANT

| | | | | |
|----------------|---|--------------------------------|-------------------------------|--------------------------|
| | THESE DRAWINGS AND SPECIFICATIONS ARE THE PROPERTY OF NorComp AND SHALL NOT BE REPRODUCED, COPIED OR USED AS THE BASIS FOR THE MANUFACTURE OR SALE OF APPARATUS WITHOUT WRITTEN PERMISSION. | | DRAWN: M. SIGMON | DATE: 05-22-12 |
| | | | | CHECKED: |
| NorComp | | SCALE: 1.5 = 1 | SHEET 3 OF 3 | REV 0 |
| | | DWG NO. 684S17W2103L461 | | |



DETAIL A-A
SHOWN FOR REFERENCE ONLY

| | | | | | |
|--|---|--|--------------------------------|----------------------------|-----------------|
|  | THESE DRAWINGS AND SPECIFICATIONS ARE THE PROPERTY OF NorComp AND SHALL NOT BE REPRODUCED, COPIED OR USED AS THE BASIS FOR THE MANUFACTURE OR SALE OF APPARATUS WITHOUT WRITTEN PERMISSION. | | DRAWN: M. SIGMON | DATE: 05-22-12 | |
| | | | CHECKED: | DATE: | |
| <h1>NorComp</h1> | | | SCALE: 1.5 = 1 | SHEET 2 OF 3 | REV 0 |
| | | | DWG NO. 684S17W2103L461 | | |