

SPECIFICATIONS:

ELECTRICAL:

INSULATOR RESISTANCE: 5 GOHMS Min.
 DIELECTRIC WITHSTANDING: 1,000 VAC for 1 MINUTE.
 OPERATING TEMPERATURE: -55° C ~ +155° C
 CONTACT RESISTANCE: 1.0MOHMS Max.
 POWER PINS: SEE PART No. BELOW
 SIGNAL PINS: 3 AMPS

MECHANICAL:

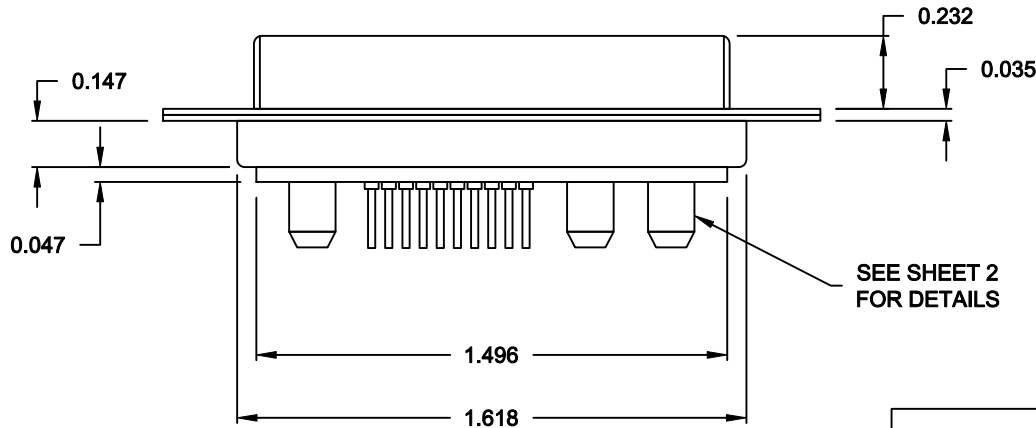
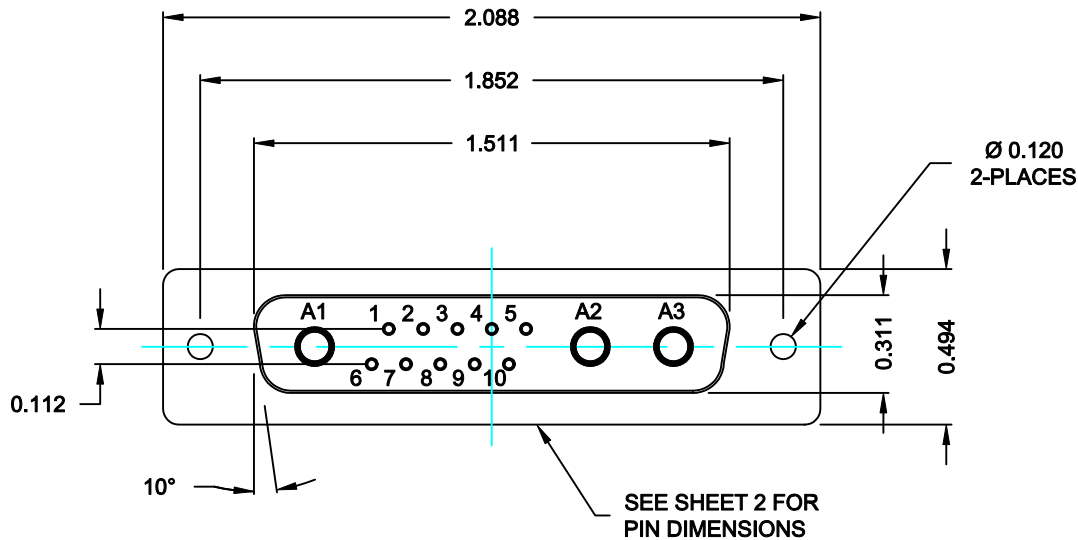
CONTACT INSERTION FORCE: 4.5 Kg Max.
 CONTACT SEPARATOR FORCE: 0.3Kg Min.

MATERIALS:

CONTACTS: COPPER ALLOY
 INSULATOR: PBT UL94V-0 RATED,
 230°C PROCESS TEMP.
 SHELL: STEEL

FINISH:

SHELL: NICKEL



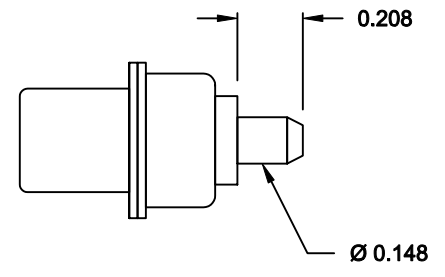
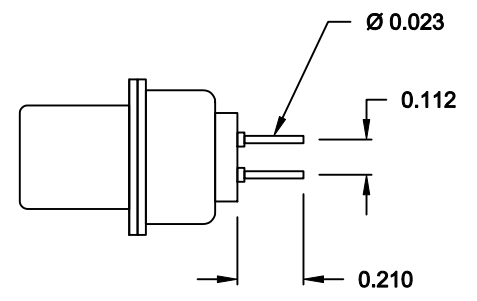
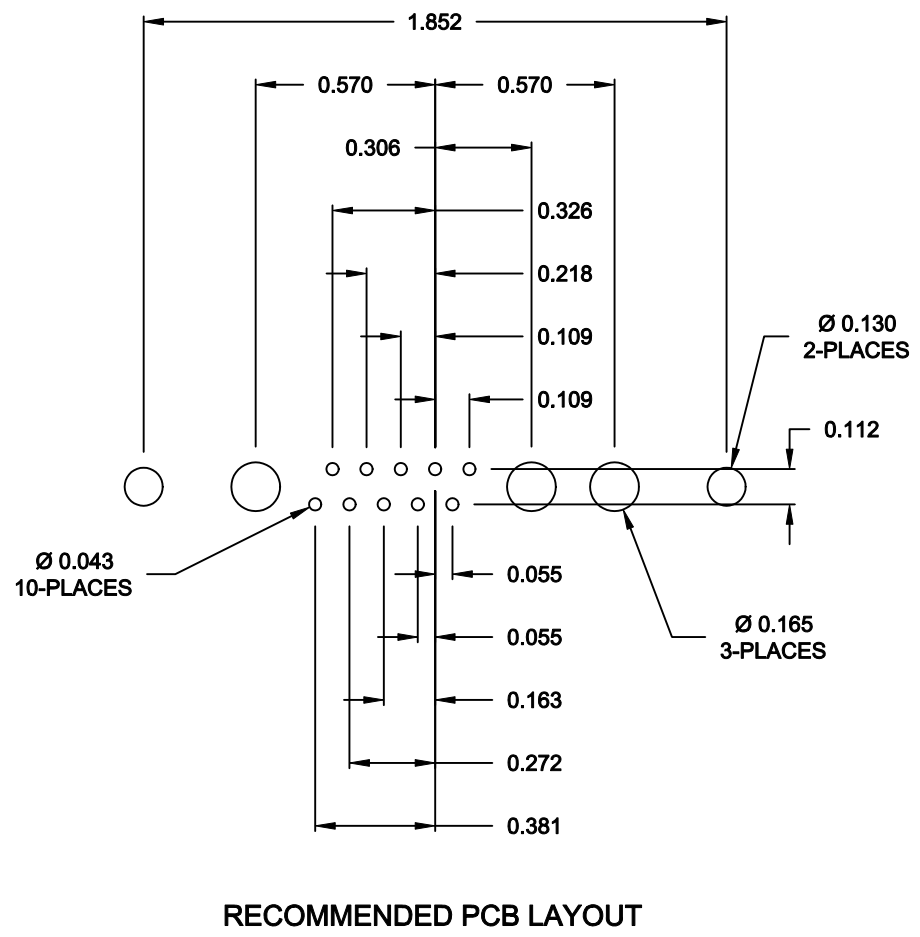
681M13W3203L001

00 = 20 / 40 AMPS


RoHS COMPLIANT

	THESE DRAWINGS AND SPECIFICATIONS ARE THE PROPERTY OF NorComp AND SHALL NOT BE REPRODUCED, COPIED OR USED AS THE BASIS FOR THE MANUFACTURE OF SALE OF APPARATUS WITHOUT WRITTEN PERMISSION.		DRAWN: M. SIGMON	DATE: 05-02-13
			CHECKED:	DATE:
NorComp	SCALE: N.T.S.	SHEET 1	OF 2	REV 0
	DWG NO. 681M13W3203L001			

NOTE:
SIGNAL AND POWER CONTACTS
COME PRE-LOADED INTO INSULATORS



RoHS COMPLIANT

	THESE DRAWINGS AND SPECIFICATIONS ARE THE PROPERTY OF NorComp AND SHALL NOT BE REPRODUCED, COPIED OR USED AS THE BASIS FOR THE MANUFACTURE OF SALE OF APPARATUS WITHOUT WRITTEN PERMISSION.		DRAWN: M. SIGMON	DATE: 05-02-13
			CHECKED:	DATE:
NorComp	SCALE: N.T.S.	SHEET 2	OF 2	REV 0
	DWG NO. 681M13W3203L001			