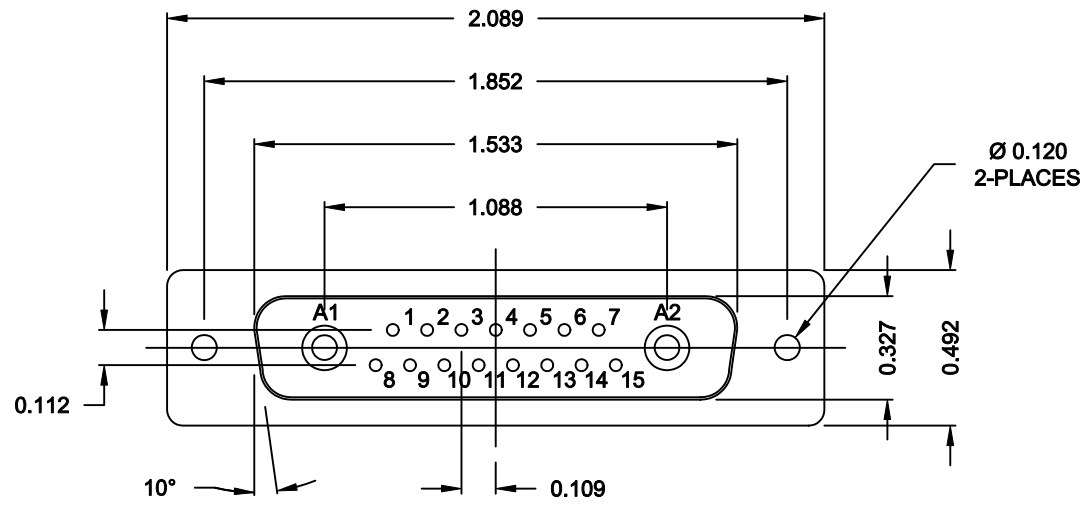


DESCRIPTION: POWER / SIGNAL - SOLDER CUP - MALE - MACHINED CONTACTS

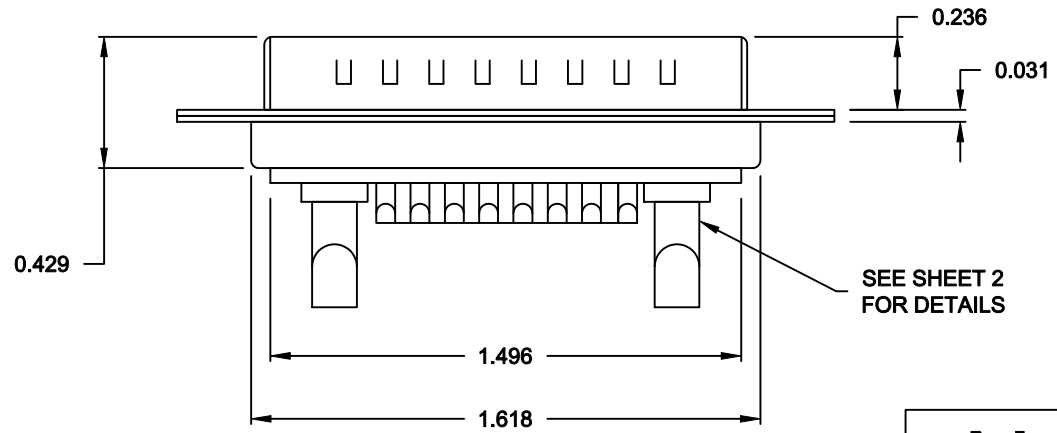


SPECIFICATIONS:

- ELECTRICAL:**
 INSULATOR RESISTANCE: 5 G OHMS Min.
 DIELECTRIC WITHSTANDING: 1,000VAC r.m.s.
 OPERATING TEMPERATURE: -55° C ~ +155° C
 POWER CONTACT RESISTANCE: 1.0 Milliohms Max.
 SIGNAL CONTACT RESISTANCE: 2.7 Milliohms Max.
 POWER PINS: SEE PART No. BELOW
 SIGNAL PINS: 5 AMPS
- MECHANICAL:**
 CONTACT INSERTION FORCE: 4.5 Kg Max.
 CONTACT SEPARATOR FORCE: 0.3Kg Min.
- MATERIALS:**
 CONTACTS: COPPER ALLOY
 INSULATOR: PBT UL94V-0 RATED, BLK
 230°C PROCESS TEMP.
 STEEL
- SHELL:**
- FINISH:**
 SHELL: NICKEL
 CONTACTS: FULL GOLD FLASH

680M17W2103LYY1

20 = 20 AMPS
 40 = 40 AMPS

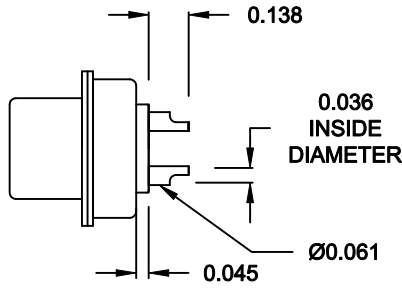


RoHS COMPLIANT

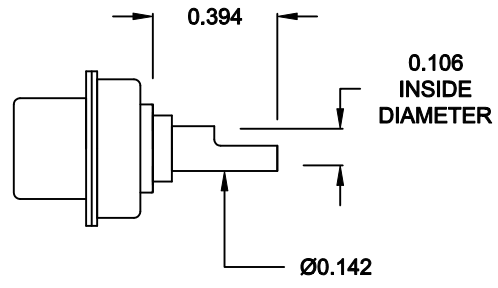
	THESE DRAWINGS AND SPECIFICATIONS ARE THE PROPERTY OF NorComp AND SHALL NOT BE REPRODUCED, COPIED OR USED AS THE BASIS FOR THE MANUFACTURE OR SALE OF APPARATUS WITHOUT WRITTEN PERMISSION.		DRAWN: M. SIGMON	DATE: 11-13-12
			CHECKED:	DATE:
NorComp	SCALE: 1.5 = 1	SHEET 1 OF 2	REV 0	
	DWG NO. 680M17W2103LYY1			

DESCRIPTION: 680 SERIES CONTACTS

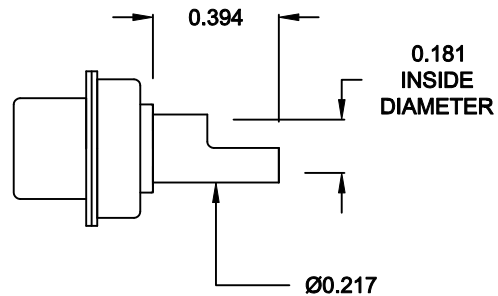
**NOTE:
SIGNAL AND POWER CONTACTS
COME PRE-LOADED INTO INSULATORS**



**SIGNAL CONTACTS
ACCEPTS UP TO 20 AWG WIRE**




**20 AMP POWER CONTACTS
ACCEPTS UP TO 12 AWG WIRE**



**40 AMP POWER CONTACTS
ACCEPTS UP TO 8 AWG WIRE**

RoHS COMPLIANT

	THESE DRAWINGS AND SPECIFICATIONS ARE THE PROPERTY OF NorComp AND SHALL NOT BE REPRODUCED, COPIED OR USED AS THE BASIS FOR THE MANUFACTURE OR SALE OF APPARATUS WITHOUT WRITTEN PERMISSION.		DRAWN: M. SIGMON	DATE: 11-13-12
			CHECKED:	DATE:
NorComp		SCALE: 1.5 = 1	SHEET 2	OF 2
		DWG NO. 680M17W2103LYY1		