

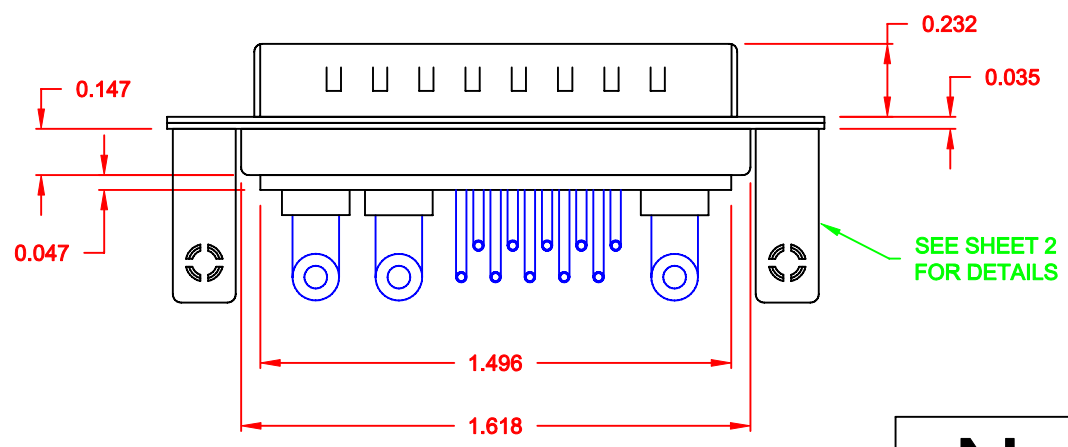
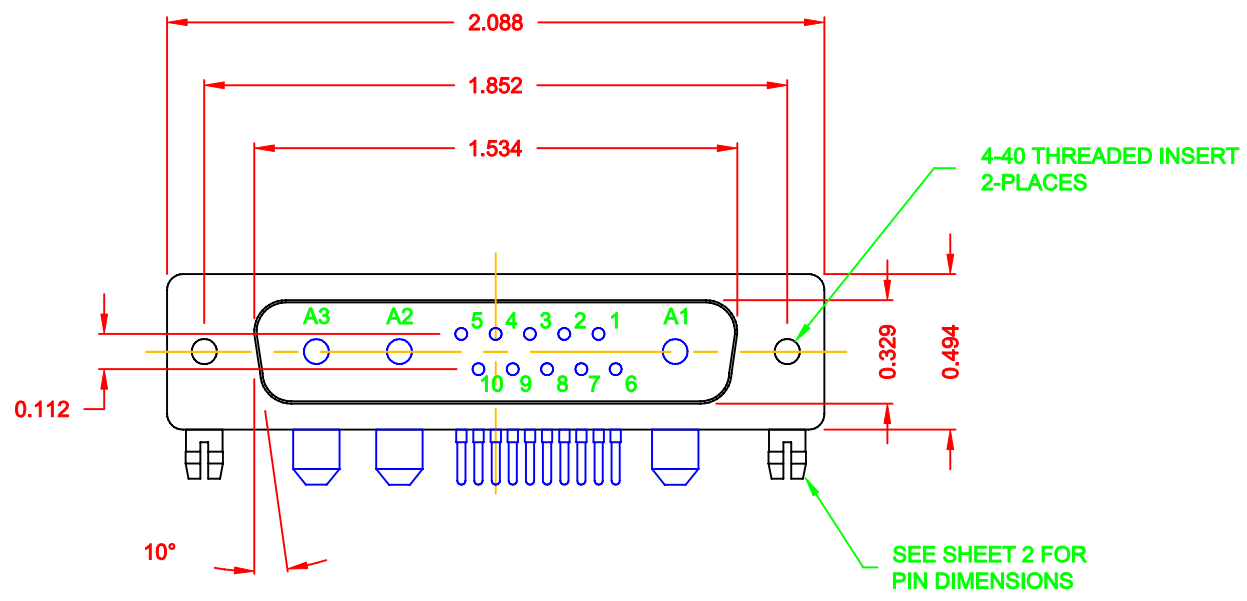
SPECIFICATIONS:

ELECTRICAL:
 INSULATOR RESISTANCE: 5,000 MegOHMS Min.
 DIELECTRIC WITHSTANDING: 1,000VAC r.m.s.
 OPERATING TEMPERATURE: -55° C ~ +125° C
 CONTACT RESISTANCE: 30 MillioHMS Max.
 POWER PINS: 40 AMPS
 SIGNAL PINS: 5 AMPS

MECHANICAL:
 CONTACT INSERTION FORCE: 4.5 Kg Max.
 CONTACT SEPARATOR FORCE: 0.3Kg Min.

MATERIALS:
 CONTACTS: BRASS
 INSULATOR: PBT UL94V-0 RATED,
 230°C PROCESS TEMP.
 SHELL: STEEL
 BOARD LOCK: BRASS, NICKEL PLATED
 CINCHNUT: BRASS, NICKEL PLATED
 BRACKET: STEEL, NICKEL PLATED


FINISH:
 SHELL: NICKEL



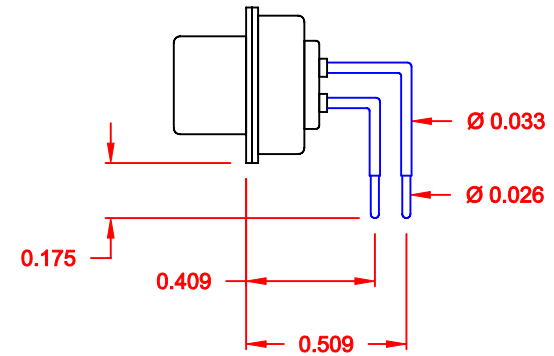
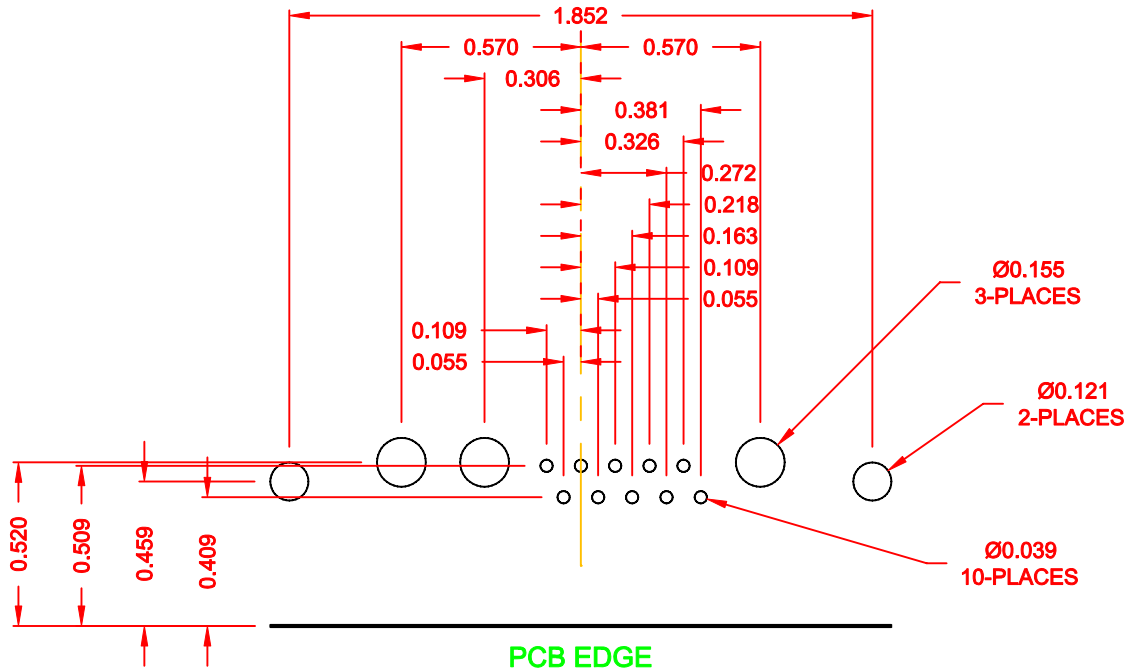
68413W3103L461

46 = 4-40 INSERTS / BOARD LOCKS

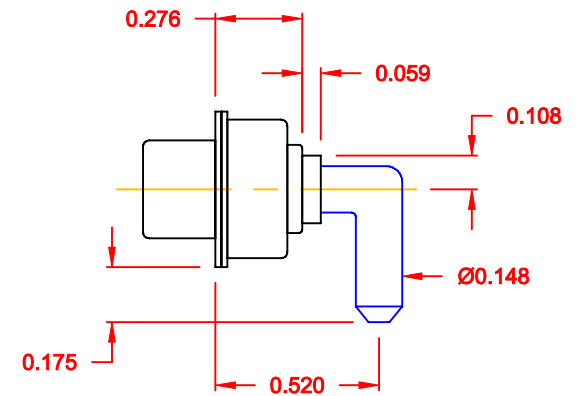
RoHS COMPLIANT

| | | | | |
|--|---|-------------------------------|-------------------------------|--------------------------|
|  | THESE DRAWINGS AND SPECIFICATIONS ARE THE PROPERTY OF NorComp AND SHALL NOT BE REPRODUCED, COPIED OR USED AS THE BASIS FOR THE MANUFACTURE OR SALE OF APPARATUS WITHOUT WRITTEN PERMISSION. | | DRAWN: C. SMITH | DATE: 10-06-06 |
| | | | CHECKED: | DATE: |
| NorComp | | SCALE: 1.5 = 1 | SHEET 1 OF 2 | REV 4 |
| | | DWG NO. 68413W3103L461 | | |

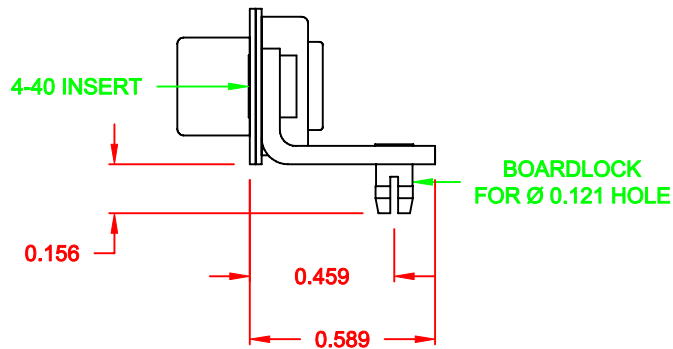
NOTE:
POWER CONTACTS COME
PRE-LOADED INTO INSULATORS



SIGNAL CONTACTS



40 AMP POWER CONTACT



MOUNTING HARDWARE

RoHS COMPLIANT

| | | | | |
|----------------|---|-------------------------------|-------------------------------|--------------------------|
| | THESE DRAWINGS AND SPECIFICATIONS ARE THE PROPERTY OF NorComp AND SHALL NOT BE REPRODUCED, COPIED OR USED AS THE BASIS FOR THE MANUFACTURE OR SALE OF APPARATUS WITHOUT WRITTEN PERMISSION. | | DRAWN: C. SMITH | DATE: 10-06-06 |
| | | | | CHECKED: |
| NorComp | | SCALE: 1.5 = 1 | SHEET 2 OF 2 | REV 4 |
| | | DWG NO. 68413W3103L461 | | |