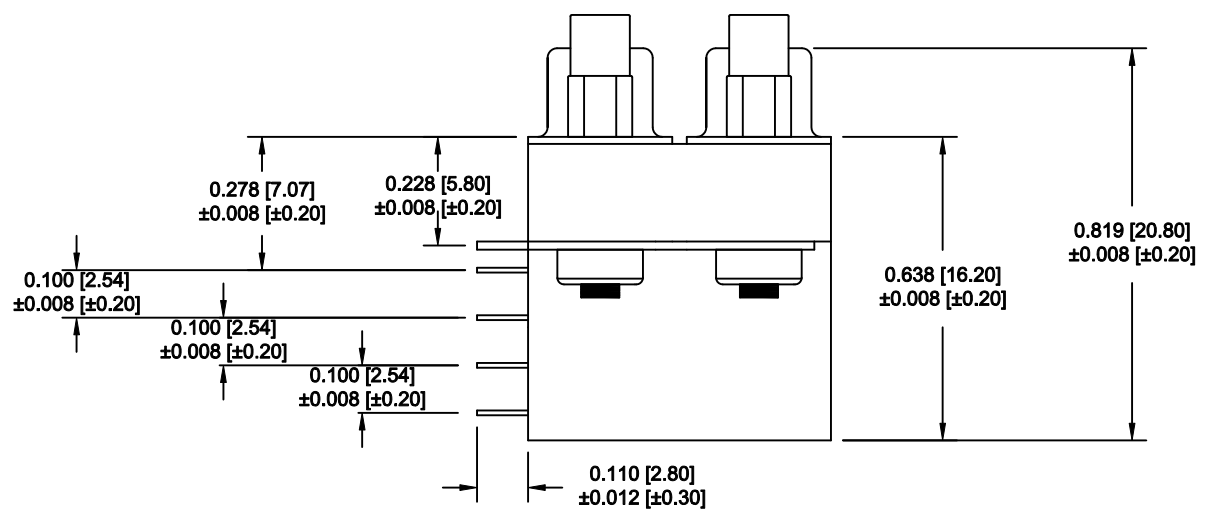
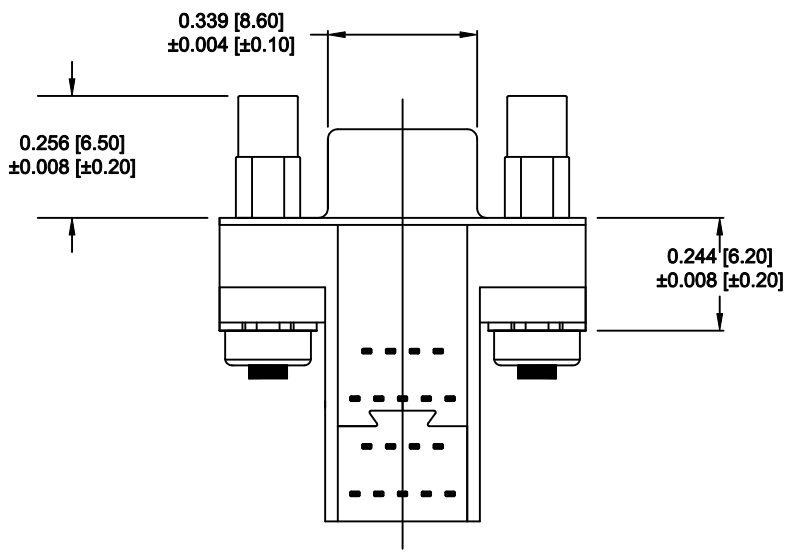
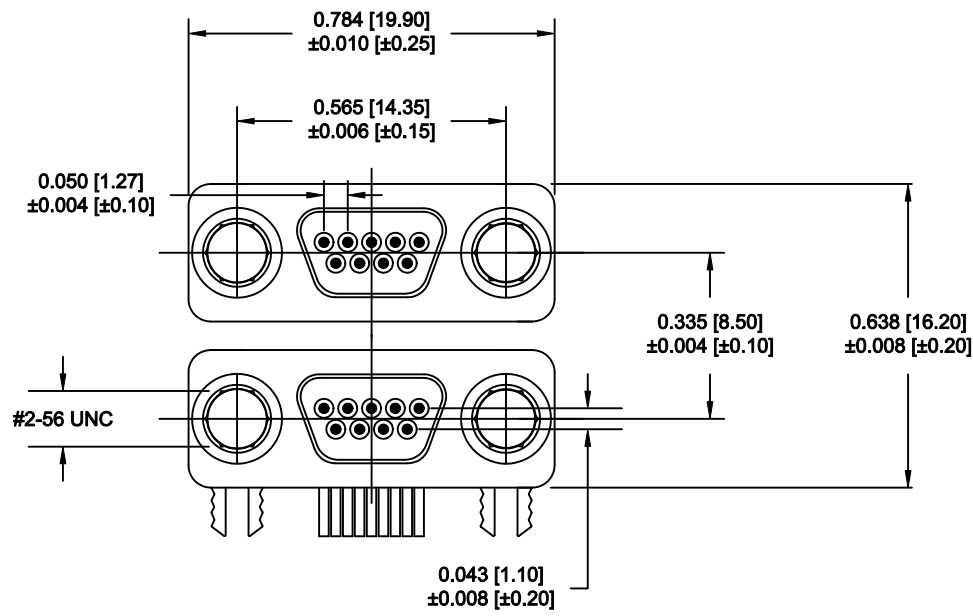


DESCRIPTION: MICRO D-SUB - MALE - RIGHT ANGLE - DUAL PORT



ELECTRICAL

CONTACT CURRENT RATING: 1 AMP
 DIELECTRIC WITHSTANDING VOLTAGE: 500 VAC
 INSULATION RESISTANCE: 1000 MOhms MIN.
 CONTACT RESISTANCE: 25 MILLI Ohms MAX.
 OPERATING TEMPERATURE: -55°C TO +85°C

MATERIALS

CONTACTS: COPPER ALLOY
 INSULATOR: THERMOPLASTIC 94V-0
 SHELL: COLD ROLLER STEEL


FINISHES

CONTACT: 15 μ" MIN. GOLD ON MATING END
 TIN ON TERMINATION END
 ALL UNDERPLATING NICKEL
 SHELL: BRIGHT TIN OVER COPPER

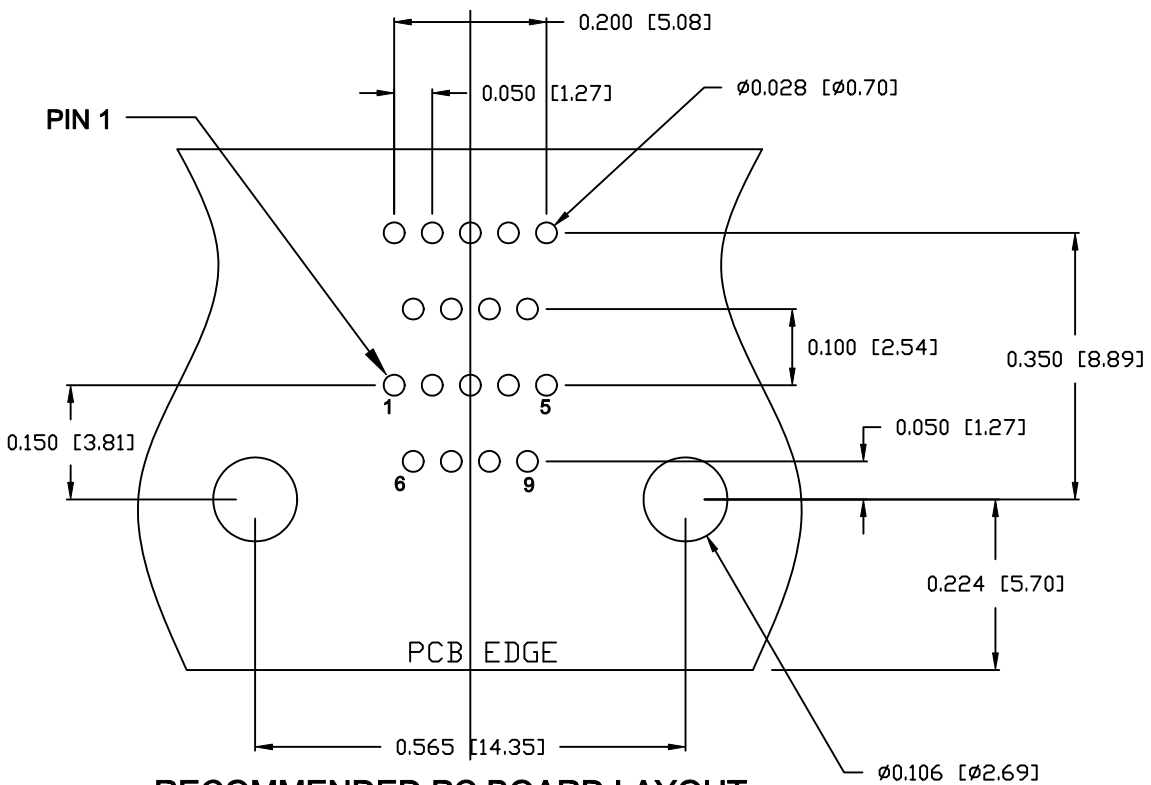
HARDWARE

2-56 THREADED STANDOFF
 2.5 IN-LBS TORQUE MAX.

DO NOT SCALE FROM DRAWING

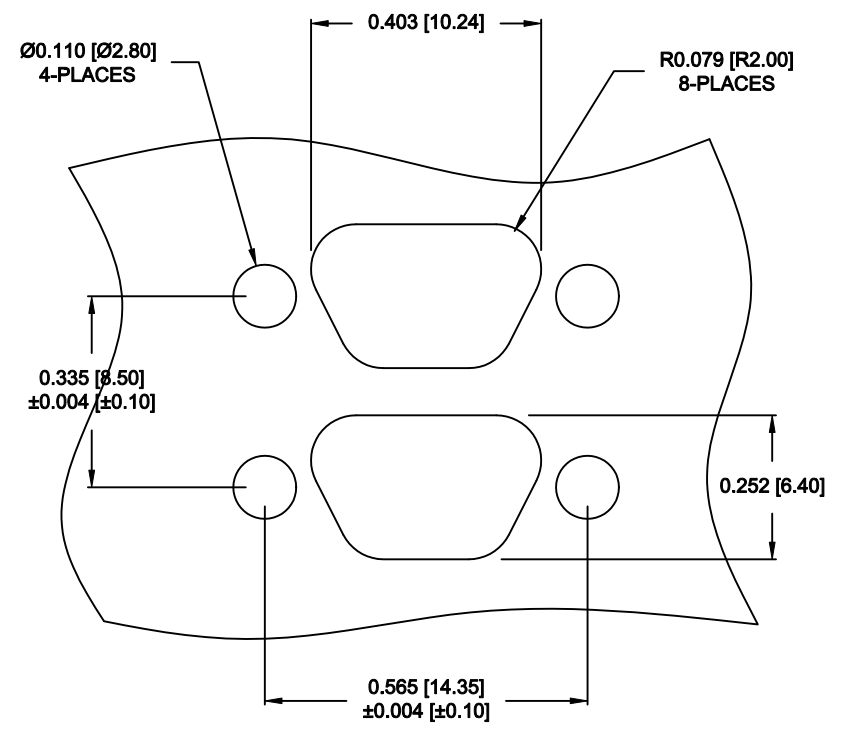
	THESE DRAWINGS AND SPECIFICATIONS ARE THE PROPERTY OF NorComp AND SHALL NOT BE REPRODUCED, COPIED OR USED AS THE BASIS FOR THE MANUFACTURE OF SALE OF APPARATUS WITHOUT WRITTEN PERMISSION.		DRAWN: M. SIGMON	DATE: 08-25-11
			CHECKED:	DATE:
<h1>NorComp</h1>		SCALE: 2.5 : 1	SHEET 1	OF 2
		DWG NO. 382-009-112L565		

RoHS COMPLIANT



**RECOMMENDED PC BOARD LAYOUT
(18 POSITION ONLY) TOLERANCE ±0.002 [±0.05]**

PANEL CUTOUT



**PANEL CUTOUT
TOLERANCE ±0.002 [±0.05]**

DO NOT SCALE FROM DRAWING



THESE DRAWINGS AND SPECIFICATIONS ARE THE PROPERTY OF NorComp AND SHALL NOT BE REPRODUCED, COPIED OR USED AS THE BASIS FOR THE MANUFACTURE OF SALE OF APPARATUS WITHOUT WRITTEN PERMISSION.

DRAWN: M. SIGMON		DATE: 08-25-11	
CHECKED:		DATE:	
SCALE: 4 : 1	SHEET 2	OF 2	REV 1
DWG NO. 382-009-112L565			

RoHS COMPLIANT

NorComp