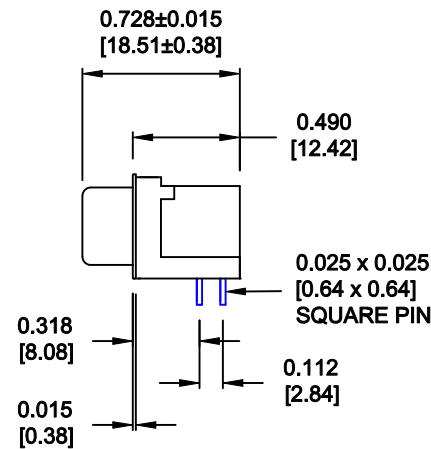
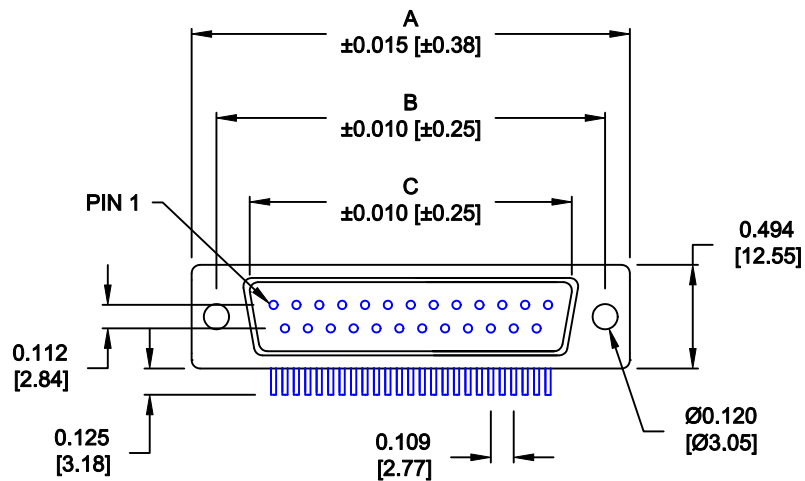
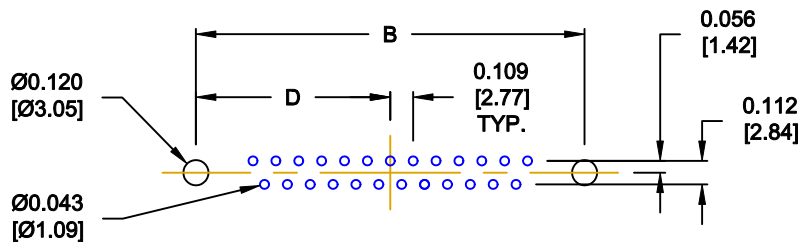
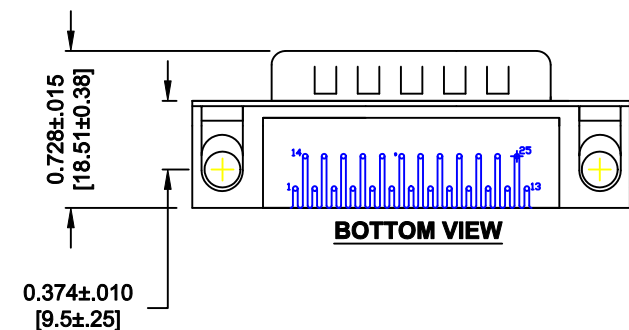


DESCRIPTION: R/A - 0.318 - MALE - ECONOMY - D SUB

25-PIN SHOWN



No. OF PINS	DIMENSIONS			
	A	B	C	D
009	1.213	0.984	0.666	0.492
	30.80	24.99	16.92	12.50
015	1.541	1.312	0.994	0.656
	39.14	33.32	25.25	16.66
025	2.088	1.852	1.534	0.926
	53.04	47.04	38.96	23.52
037	2.729	2.500	2.181	1.250
	69.32	63.50	57.30	31.75



RECOMMENDED PCB LAYOUT

182-YYY-1 1 3RYY 1

SERIES _____
 No. of POSITIONS _____
 GENDER _____
 1 = MALE
 TERMINATION _____
 1 = PC MOUNT
 SHELL PLATING _____
 3 = NICKEL
 HARDWARE OPTIONS _____
 SEE PAGE 2
 PLATING OPTIONS _____
 1 = GOLD FLASH
 2 = 30u" GOLD

MATERIAL:

SHELL: SPCC, NICKEL PLATED
 INSULATOR: UL 94V-O RATED, BLACK, 260° PA9T
 CONTACT: BRASS, GOLD PLATED
 RIVET: COPPER ALLOY, NICKEL PLATED
 SCREWLOCK: ZINC ALLOY, NICKEL PLATED
 BOARDLOCK: SPCC, TIN PLATED

ELECTRICAL:

CURRENT RATING: 5 AMPS
 DIELECTRIC STRENGTH: 1,000VAC rms
 INSULATION RESISTANCE: 1,000 MOHMS Min
 TEMPERATURE: -55°C TO +105°C

GENERAL TOLERANCES

± 0.006 [0.15]
 HOLE : ± 0.005 [0.13]

DO NOT SCALE FROM DRAWING

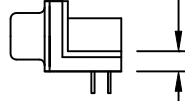
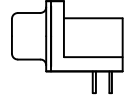
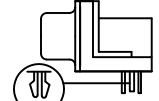
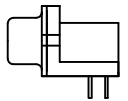
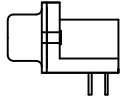
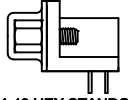
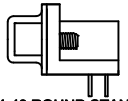
RoHS COMPLIANT




THESE DRAWINGS AND SPECIFICATIONS ARE THE PROPERTY OF NorComp AND SHALL NOT BE REPRODUCED, COPIED OR USED AS THE BASIS FOR THE MANUFACTURE OF SALE OF APPARATUS WITHOUT WRITTEN PERMISSION.

NorComp

DRAWN: PAM JENKINS	DATE: 03-17-05
CHECKED:	DATE:
SCALE: 1 : 1	SHEET 1 OF 2
DWG NO. 182-YYY-113RYY1	REV 8

	 <p>0.141 ±0.020 METAL SHELL WITH INSIDE GROUND STRAPS</p>	 <p>METAL SHELL</p>	 <p>METAL SHELL FORK BOARD LOCKS</p>
 <p>.120" DIA. HOLE</p>	16	43	55
 <p>4-40 FLUSH INSERT</p>	17	45	53 BOARD LOCKS IN HOLE
 <p>4-40 HEX STANDOFF FEMALE SCREWLOCK</p>	18	48	56 BOARD LOCKS IN HOLE
 <p>4-40 ROUND STANDOFF FEMALE SCREWLOCK</p>	N/A	N/A	N/A

DO NOT SCALE FROM DRAWING

	THESE DRAWINGS AND SPECIFICATIONS ARE THE PROPERTY OF NorComp AND SHALL NOT BE REPRODUCED, COPIED OR USED AS THE BASIS FOR THE MANUFACTURE OF SALE OF APPARATUS WITHOUT WRITTEN PERMISSION.		DRAWN: PAM JENKINS	DATE: 03-17-05
			CHECKED:	DATE:
<h1>NorComp</h1>		SCALE: 1 : 1	SHEET 2 OF 2	REV 8
		DWG NO. 182-YYY-113RYY1		

RoHS COMPLIANT