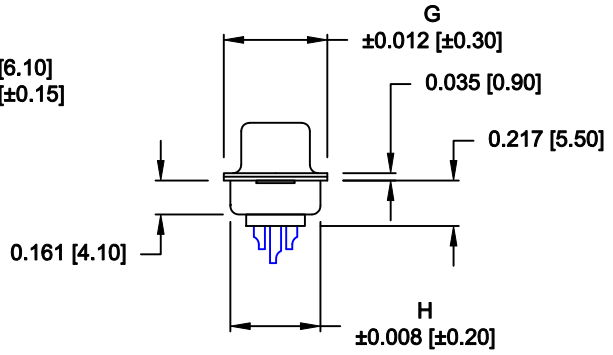
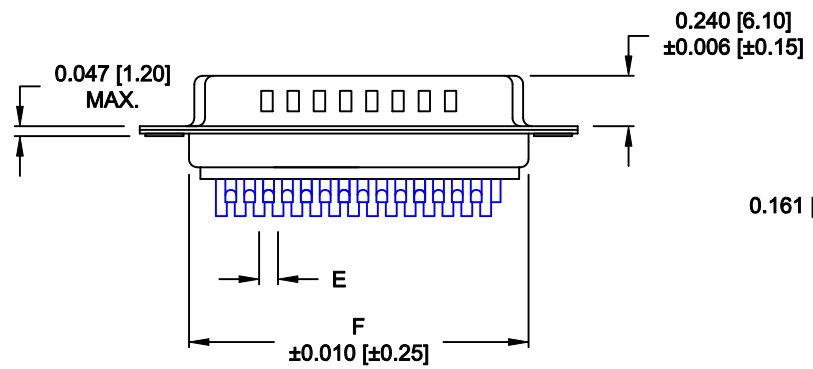
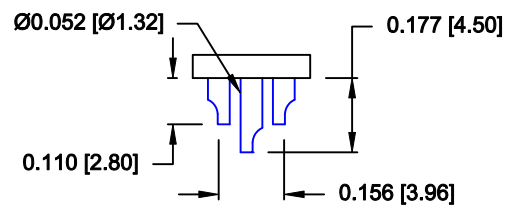
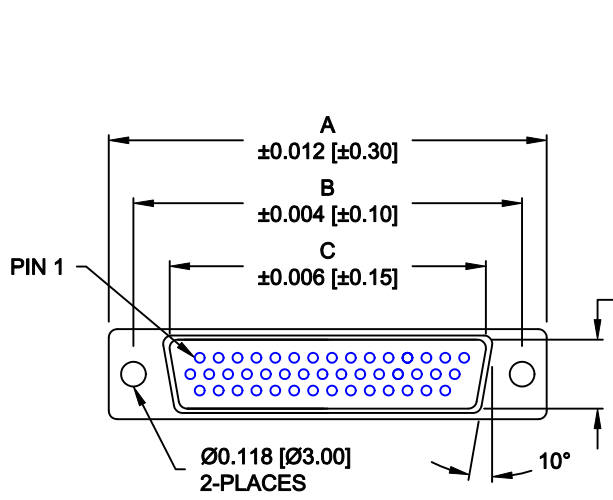


DESCRIPTION: HIGH DENSITY MALE - SOLDER CUP



| No. OF PINS | DIMENSIONS | | | | | | | |
|-------------|------------|-------|-------|-------|-------|-------|-------|-------|
| | A | B | C | D | E | F | G | H |
| 15 | 1.213 | 0.984 | 0.666 | 0.329 | 0.090 | 0.756 | 0.496 | 0.429 |
| | 30.80 | 24.99 | 16.92 | 8.36 | 2.29 | 19.20 | 12.60 | 10.90 |
| 26 | 1.543 | 1.312 | 0.978 | 0.329 | 0.090 | 1.091 | 0.496 | 0.429 |
| | 39.20 | 33.32 | 25.25 | 8.36 | 2.29 | 27.70 | 12.60 | 10.90 |
| 44 | 2.087 | 1.852 | 1.534 | 0.329 | 0.090 | 1.618 | 0.496 | 0.429 |
| | 53.00 | 47.04 | 38.85 | 8.36 | 2.29 | 41.10 | 12.60 | 10.90 |
| 62 | 2.732 | 2.500 | 2.181 | 0.329 | 0.095 | 2.256 | 0.496 | 0.429 |
| | 69.40 | 63.50 | 55.40 | 8.36 | 2.41 | 57.30 | 12.60 | 10.90 |
| 78 | 2.638 | 2.406 | 2.079 | 0.445 | 0.095 | 2.169 | 0.606 | 0.526 |
| | 67.00 | 61.10 | 52.80 | 11.30 | 2.41 | 55.10 | 15.40 | 13.35 |

4 ROWS

180-YYY-10YLYY1

- SERIES _____
- POSITIONS _____
- 015 _____
- 026 _____
- 044 _____
- 062 _____
- 078 _____
- GENDER _____
- 1 = MALE
- TERMINATION _____
- 0 = SOLDER CUP
- SHELL PLATING _____
- 2 = TIN
- 3 = NICKEL (GROUND INDENTS)
- RoHS COMPLIANT (230°C) _____
- HARDWARE OPTIONS _____
- 00 = NO HARDWARE
- 01 = .098" CLINCH NUT (BOARD SIDE)
- 02 = .236" CLINCH NUT (BOARD SIDE)
- 03 = .236" CLINCH NUT (MATING SIDE)
- PLATING OPTIONS _____
- 1 = GOLD FLASH
- 2 = 30u" GOLD

MATERIAL:

- SHELL: STEEL, TIN OR NICKEL PLATED
- INSULATOR: PBT, UL 94V-O RATED, +30% FIBER-GLASS OR NYLON-66
- CONTACT: BRASS, GOLD PLATED OVER NICKEL

ELECTRICAL:

- CURRENT RATING: 5 AMPS
- CONTACT RESISTANCE: 15 mOhms Max.
- INSULATION RESISTANCE: 1,000 MOhms min.
- VOLTAGE: 500VAC FOR 1 MINUTE
- TEMPERATURE: -50° C TO 100° C

NOTE: WILL ACCEPT UP TO 24 AWG WIRE

DO NOT SCALE FROM DRAWING

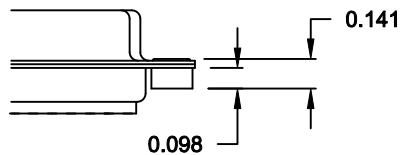
RoHS COMPLIANT

| | | | | |
|----------------|---|-------------------------|----------------------|----------------|
| | THESE DRAWINGS AND SPECIFICATIONS ARE THE PROPERTY OF NorComp AND SHALL NOT BE REPRODUCED, COPIED OR USED AS THE BASIS FOR THE MANUFACTURE OF SALE OF APPARATUS WITHOUT WRITTEN PERMISSION. | | DRAWN: WAYNE ROBBINS | DATE: 11-29-05 |
| | | | CHECKED: | DATE: |
| NorComp | | SCALE: 1 : 1 | SHEET 1 OF 2 | REV 12 |
| | | DWG NO. 180-YYY-10YLYY1 | | |

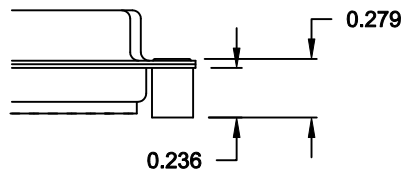
TOLERANCE:
ALL DIMENSIONS ARE ±0.010

ALL CLINCH-NUTS ARE 4-40 INTERNAL THREADS

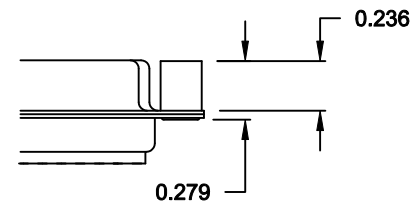
01X 0.098" (BOARD SIDE) - CN1




02X 0.236" (BOARD SIDE) - CN2



03X..... 0.236" (MATING SIDE) - CN8



DO NOT SCALE FROM DRAWING

| | | | | |
|--|---|--------------------------------|----------------------------|--------------------------|
|  | THESE DRAWINGS AND SPECIFICATIONS ARE THE PROPERTY OF NorComp AND SHALL NOT BE REPRODUCED, COPIED OR USED AS THE BASIS FOR THE MANUFACTURE OF SALE OF APPARATUS WITHOUT WRITTEN PERMISSION. | | DRAWN: C. SMITH | DATE: 03-08-06 |
| | | | CHECKED: | DATE: |
| NorComp | | SCALE: FULL | SHEET 2 OF 2 | REV 12 |
| | | DWG NO. 180-YYY-10YLYY1 | | |

RoHS COMPLIANT