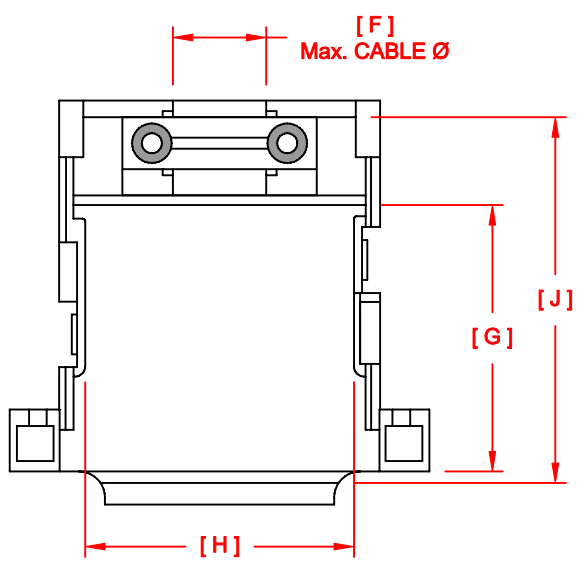
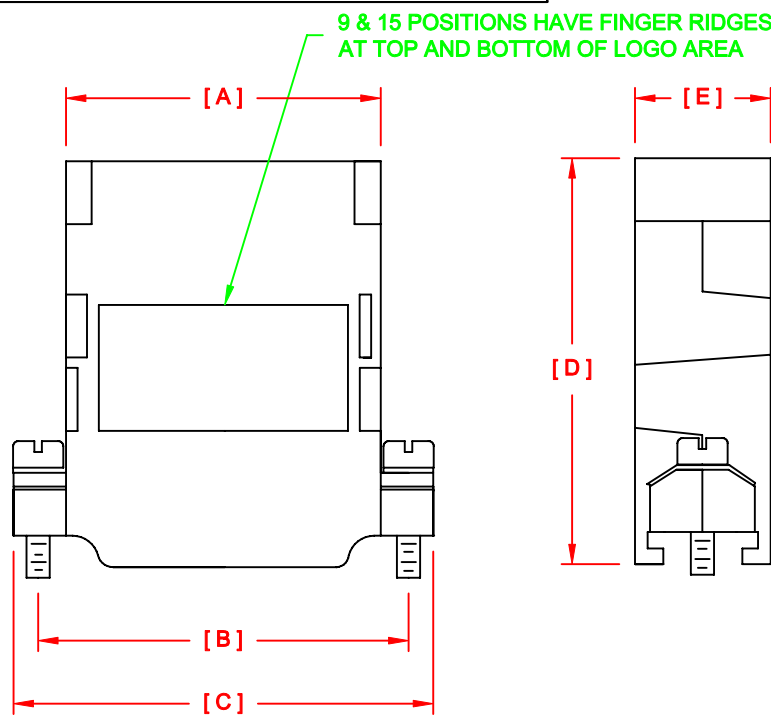


DESCRIPTION: 983 SERIES D-SUB BACKSHELL



No. OF PINS	DIMENSIONS								
	A	B	C	D	E	F	G	H	J
9	0.783	0.984	1.252	1.929	0.654	0.270	1.285	0.546	1.737
	19.88	24.99	31.80	49.00	16.60	6.86	32.64	13.87	44.13
15	1.089	1.312	1.567	1.929	0.654	0.450	1.285	0.837	1.731
	27.66	33.32	39.80	49.00	16.60	11.43	32.65	21.26	43.97
25	1.652	1.852	2.122	1.925	0.654	0.470	1.270	1.403	1.739
	41.95	47.04	53.90	48.90	16.60	11.94	32.25	35.64	44.16
37	2.278	2.500	2.756	1.940	0.654	0.470	1.300	2.030	1.726
	57.86	63.50	70.00	49.28	16.60	11.94	33.02	51.55	43.84
50	2.200	2.406	2.670	1.950	0.781	0.540	1.293	1.932	1.746
	55.88	61.11	67.82	49.53	19.84	13.72	32.85	49.07	44.35

ALL TOLERANCES = ±0.016 [±0.40]
UNLESS OTHERWISE INDICATED

MATERIAL: THERMOPLASTIC,
UL 94V-0, BLACK OR GRAY
IF PLATED : NICKEL OVER COPPER

983-YYY-0Y0RYY1

SERIES _____
POSITIONS _____
009
015
025
037
050
MATERIAL _____
010 = PLASTIC
020 = METALIZED PLASTIC
COLOR _____
01 = BLACK
03 = GRAY
12 = NICKEL OVER COPPER
PUT-UPS _____
1 = KIT
2 = BULK

BACKSHELL KIT INCLUDES:

- 2 - BACKSHELL HALVES
- 1 - YOKE
- 2 - STRAIN RELIEF CLAMPS
- 2 - STRAIN RELIEF SCREWS
- 2 - SADDLE WASHERS
- 2 - 4-40 MOUNTING SCREWS (ROUND HEAD)

DO NOT SCALE FROM DRAWING

	THESE DRAWINGS AND SPECIFICATIONS ARE THE PROPERTY OF NorComp AND SHALL NOT BE REPRODUCED, COPIED OR USED AS THE BASIS FOR THE MANUFACTURE OR SALE OF APPARATUS WITHOUT WRITTEN PERMISSION.		DRAWN: PAM JENKINS	DATE: 07-28-05
			CHECKED:	DATE:
NorComp		SCALE: NTS	SHEET 1	OF 1
		DWG NO. 983-YYY-0Y0RYY1		

RoHS COMPLIANT