



14.4k, 56k Modems for PC/104 MPC315



Features

- ✓ Supports Hayes "AT" command set
- ✓ FCC Part 68 registered
- ✓ Direct connect to telephone line
- ✓ 5V only operation
- ✓ PC/104 format
- ✓ Off-hook detection
- ✓ Extended temperature operation available

The MPC315 Modem board provides originate and answer capabilities to any PC/104 system. Both tone and pulse dialing are supported.

Control and configuration of the MPC315 is via the "Hayes AT" command set. This ensures compatibility with virtually all software drivers and PC application programs designed for

modem communication. In addition, Extended (&) commands, S registers, and result codes are supported. Because a silicon DAA (direct access arrangement) is used, off-hook and parallel phone detection is also supported.

A standard RJ11C modular phone jack supplies all signals needed for telephone line connections.

Software Support

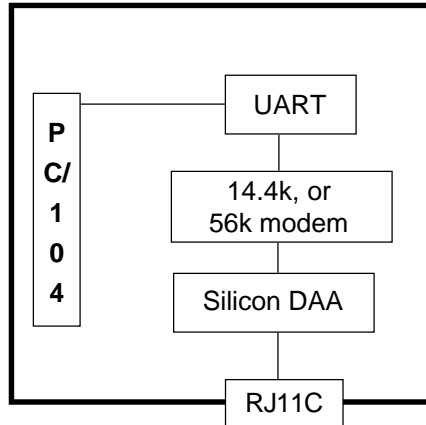
*Any PC Modem packages
Example software included*

Compatible Hardware

*Any Micro/sys CPU with
PC/104 expansion
connector [See Section 1]
Standard dial-up phone lines*

Mounting/Packaging

PC/104 standard



Specifications:

Mechanical:

- PC/104 standard
- 3.55" (plus I/O region) x 3.775" x .6"

Power Requirements:

- +5V \pm 5% at TBD max

Environmental:

- 0° - +70°C operating (MPC315-xx)
- 40° - +85°C operating (MPC315-xx-ET)
- 40° - +85°C storage
- 5%-95% relative humidity, non-condensing

Chipset:

- Silicon Laboratories modem chipset
- Modem chip - Si2414/2456
- DAA chip - Si3015
- UART - 16C550 compatible, 16-byte FIFO on RX and TX

PC/104 Interface:

- 8-bit PC/104 module
- Optional 16-bit passthrough connector if MPCOPT16ST installed

- Selectable IRQ 2 (9), 3, 4, 5, 6, 7
- IRQ10, 11, 12, 14, 15 may be jumpered if MPCOPT16ST installed

External Connections:

- RJ11C modular jack for line Tip/Ring
- Site for second RJ11C for phone
- 2-pin header for external speaker

Ordering Information:

MPC315-14	14.4k modem board
MPC315-56	56k modem board
MPC315-14-ET	Extended temperature 14.4k modem board
MPC315-56-ET	Extended temperature 56k modem board

The above models are for U.S. operation. Contact the factory for international models.

Related Products:

MPCOPT16ST	16-bit PC/104 stackthrough connector
------------	--------------------------------------