



# Quad Serial Interface for PC/104 MPC304



## Features

- ✓ Four complete PC compatible serial ports
- ✓ RS232 levels with optional RS485 on a per-channel basis
- ✓ Selectable/customizable I/O addresses
- ✓ RTS and CTS supported
- ✓ Selectable IRQ level for each port
- ✓ 5V only operation
- ✓ PC/104 form factor

The MPC304 Quad Serial Interface adds four PC compatible serial ports to any PC/104 system. Control is provided over card configuration through selectable base addresses and IRQ lines. PC standard COM1 through COM4 are one of the possible mappings of the card.

The 5-volt only module is shipped with all ports operating in RS232 mode. Receive data, transmit data, CTS, and RTS are supported on all ports.

Optional transceivers can add RS485 operation to the MPC304 serial ports. From one to four ports can be used in RS485 mode. Both half-duplex and full-duplex RS485/RS422 operation is supported, with distances to 5,000 ft in multi-drop networks.

Separate 10-pin headers are provided for each port, and standard cables can be used to bring signals out to separate DB-9 connectors.

### Software Support

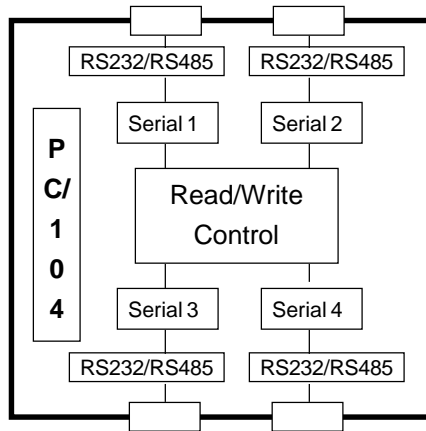
*Comm library, CommBLOK™*  
[Item above in Section 6]  
*Third party PC libraries*

### Compatible Hardware

*Serial RS232 devices*  
*Serial RS485 devices*  
*RS485 networks*  
*Custom interfacing*

### Mounting/Packaging

*PC/104 standard*



## Specifications:

### Mechanical:

- PC/104 standard
- 3.55" (plus I/O region) x 3.775" x .6"

### Power Requirements:

- +5V  $\pm$  5% at 135 mA max

### Environmental:

- 0° - +70°C operating
- 25° - +85°C storage
- 5%-95% relative humidity, non-condensing

### PC/104 Interface:

- 8-bit PC/104 module (16-bit connector optional)
- Selectable IRQ2-7, each port
- IRQ10-15 also available to each port if 16-bit PC/104 connector option is installed
- Support for PC/104 shared interrupts
- Selection of one of four I/O port mappings: 3F8, 2F8, 3E8, and 2E8  
3E8, 2E8, 280, and 288  
180, 188, 190, and 198  
280, 288, 290, and 298
- Custom I/O mapping available, consult factory

### Serial Ports:

- PC compatible, 16C550 UARTs with FIFO
- COM1-COM4 or unique configurations
- RS232 or RS485 selectable by port pairs
- TXD, RXD, RTS, CTS and GND signals supported on each port in RS232 mode
- Baud rates to 115K

### External Connections:

- 10-pin header for each port

## Ordering Information:

MPC304	Quad serial interface, PC/104
304OPT1	RS485 transceivers for 4 ports

### Related Products:

CA4020	Cable to 9-pin male D, single port
MPCOPT16ST	16-bit PC/104 stackthrough connector