



# Dual Serial Interface for PC/104 MPC302

## Features



- ✓ Two PC compatible COM ports
- ✓ RS232 interface levels
- ✓ RS485 option on one serial port
- ✓ PC compatible parallel printer port
- ✓ Parallel port has bidirectional mode
- ✓ Runs unmodified COM and LPT code
- ✓ Changeable I/O ports and IRQs
- ✓ 5V only operation
- ✓ PC/104 format

The MPC302 Dual Serial and Printer Interface adds two PC compatible COM ports and one parallel printer port to any PC/104 system. Complete control over I/O port addressing and interrupt IRQ selection is provided through settable jumpers. This allows standard and non-standard configurations to allow maximum flexibility in configuring PC/104 systems.

The 5-volt only module provides RS232 levels, and includes full modem controls on both serial ports. RS485 interface levels can be used on one of the serial ports if the RS485 option is installed.

The parallel printer port can be used for Centronics compatible printers, or for general purpose digital I/O interfacing. The 8 parallel port data lines can be configured to be output only or bidirectional.

Separate connectors are provided for each function. If any of the MPC302 functions are not needed, they can be disabled.

### Software Support

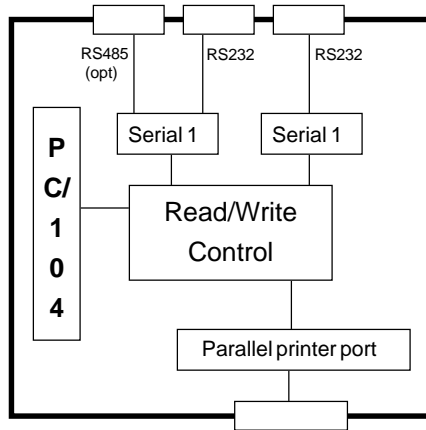
*Comm library, CommBLOK™*  
[Item above in Section 6]  
*Third party PC libraries*

### Compatible Hardware

*Serial RS232 devices*  
*RS485 networks*  
*Parallel printers*  
*Custom interfacing*

### Mounting/Packaging

*PC/104 standard*



## Specifications:

### Mechanical:

- PC/104 standard
- 3.55" (plus I/O region) x 3.775" x .6"

### Power Requirements:

- +5V  $\pm$  5% at 85mA max

### Environmental:

- 0° - +70°C operating
- 25° - +85°C storage
- 5%-95% relative humidity, non-condensing

### PC/104 Interface:

- 8-bit PC/104 module
- Four jumper settable base addresses
- Default settings: first serial port addresses 3E8-3EF, IRQ7; second serial port addresses 2E8 - 2EF, IRQ6, parallel port addresses 278-27F, IRQ2

### Serial Ports:

- PC compatible, 16C552 UARTS with FIFO
- COM1-COM4 or unique configurations
- RS232 interface levels, full modem controls
- Baud rates to 115K

### Printer Port:

- PC compatible
- 8 data lines, 5 inputs, 4 outputs
- Bidirectional data lines if selected

### Interrupts:

- All 3 ports can generate interrupts
- Jumpers to IRQ2 - IRQ7 for each port, (IRQ10 - IRQ15 if PC/104 J2 is installed)
- Support for PC/104 shared interrupts

### External Connections:

- 10-pin headers for both RS232 ports
- Separate 10-pin header for RS485 option
- 26-pin header for printer port

## Ordering Information:

MPC302      Dual serial, parallel port card  
 302OPT1      RS485 option installed

### Related Products:

CA4020      Cable to 9-pin male D (COM)  
 CA4021      Cable to 25-pin female D (LPT)