



Micro Secure Digital Memory Card Reader for StackableUSB™ USB1410



Features

- ✓ SD 2.0, SDHC compatible
- ✓ Supports 4-bit SD MicroSD cards
- ✓ Data transfer rates of up to 35 MB/s
- ✓ Small 1.85" x 1.74" board
- ✓ -40° to +85°C operation



The USB1410 is a valuable addition to any StackableUSB or USB-compatible system that requires additional space for data and storage on removable media. With multi-GB density micro SD cards available, disk space should never be an issue in embedded systems going forward.

Powered by SMSC's USB2240 Flash media controller, USB1410 sports transfer rates of up to 35MB/s, provided that the removable media and host device support the speeds.

The USB1410 runs on Microsoft Windows 7, Windows Vista, Windows XP, Windows ME, Windows 2K SP4, Windows CE, Apple OSX, and Linux Mass Storage Class Drivers out of the box.

For microcontrollers, the USB1410 is compatible with host controllers that support USB "Embedded Host" mode and provide USB Mass Storage Class drivers in their development toolkits.

The 1.85" x 1.74" module is USB 2.0 compliant providing users the advantages of plug-and-play interfacing. The module stacks onto the top or bottom of any StackableUSB host single board computer or microcontroller forming a small, rugged, embeddable system, ideal for harsh environments. The USB1410 can be connected to desktop PCs and laptops via a Mini-B USB connector for development.

Software/Driver Support

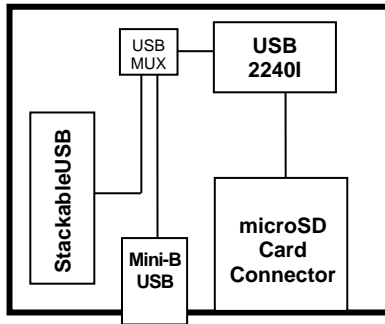
Windows 7, Windows Vista, XP, ME, 2K SP4, CE
Linux
Apple OSX
Microcontroller firmware
Sample software

Compatible Hardware

StackableUSB Host single board computers and microcontrollers
PC Host desktops and laptops

Mounting/Packaging

¼-Size 104™ Form Factor
Standoffs, STDOFFUSB



Specifications:

Mechanical:

- 1.85" x 1.74" StackableUSB
- ¼-Size 104™ Form Factor

Power Requirements:

- +5v ±5% at 140mA typical, 170mA max

Environmental:

- 40 to +85°C operating
- 40° to +85°C storage
- 5%-95% relative humidity, non-condensing

External Connections:

- StackableUSB
- Mini-B USB connector

Internal Electrical Interface:

- StackableUSB
- USB 1.1 & 2.0 compatible, high-speed

Development Kit:

- Base module
- Complete cable set
- Documentation, sample software

Ordering Information:

OEM Modules:

USB1410-ST	Micro Secure Digital Memory Card Reader with StackableUSB stackthrough connector and Mini-B USB connector for PC connection
USB1410-PC	Micro Secure Digital Memory Card Reader with Mini-B USB connector for PC connection
CS1410	Complete cable set

Related Products:

STDOFFUSB CA4136	StackableUSB standoff kit Mini-B USB male to Type A USB male cable
---------------------	---

Development Board Kits*

DK1410-ST	USB1410-ST development kit
DK1410-PC	USB1410-PC development kit

*See Development Kit Specifications