



Dual RS232 Serial Interface for StackableUSB™ USB1302



Features

- ✓ Two (2) full handshake PC- compatible COM Ports
- ✓ RS232 interface levels
- ✓ USB Sleep Mode Compatible
- ✓ 5V only operation
- ✓ Small 1.85" x 1.78" board
- ✓ -40° to +85°C operation



The USB1302 Dual RS232 Serial Interface easily expands the number of COM ports available to any StackableUSB Host computer or microcontroller. This small, easy-to-use expansion module comes with sample software and full documentation.

The USB1302 has two (2) RS232 serial COM ports which can be used for half duplex or full duplex communication. The USB1302 is a USB 2.0 full-speed device providing data rates up to 12Mbps and interfacing to the operating system COM port drivers with two (2) unique COM port addresses.

Separate 10-pin headers are provided for each COM port. Up to ten (10) USB1302 modules can be added to a StackableUSB Host to provide up to 20 serial ports in a single system.

The 1.85" x 1.78" module is USB 2.0 compliant providing users the advantages of plug-and-play interfacing. The module stacks onto the top or bottom of any StackableUSB Host single board computer or microcontroller forming a small, rugged, embeddable system, ideal for harsh environments. The USB1302 can connect to desktop PCs and laptops via a Mini-B USB connector for development.

Software/Driver Support

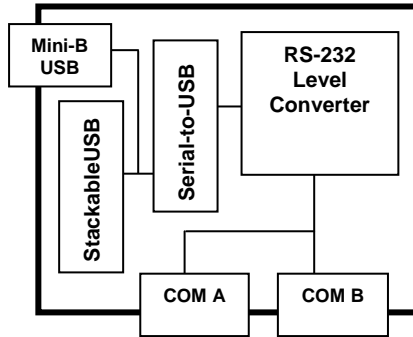
Window XP
Windows CE
Linux
Host MCU firmware
Sample software

Expansion Hardware

StackableUSB Host single board computers and microcontrollers
PC Host desktops and laptops
RS232 devices

Mounting/Packaging

1/4-Sized 104™ Form Factor
Standoffs, STDOFFUSB



Specifications

Mechanical:

- 1.85" x 1.78" StackableUSB
- ¼-Size 104™ Form Factor

Power Requirements:

- +5v ±5%
- 55 mA (normal operation)
- 300 µA (sleep operation)

Environmental:

- 40° to +85°C operating temp
- 40° to +85°C storage temp
- 5%-95% relative humidity, non-condensing

External Connections:

- StackableUSB
- Mini-B USB
- Two (2) 10-pin RS232 (Full-duplex)

COM Interface:

COM A/B 10 Pin I/O Connectors			
Pin	Signal	Signal	Pin
1	DCD	DSR	2
3	RXD	RTS	4
5	TXD	CTS	6
7	DTR	RI	8
9	GND	NC	10

Internal Interfaces:

- StackableUSB
- USB 1.1 & 2.0 compatible, full-speed

Development Kit:

- Base Module
- Complete cable set
- Documentation, schematics, sample software

Ordering Information

OEM Modules:

USB1302-ST	Dual RS232 Serial Interface with StackableUSB stack-through connector
USB1302-PC	Dual RS232 Serial Interface, Mini-B USB connector for PC connection
CS1302	Complete Cable Set

Related Products:

STDOFFUSB	StackableUSB standoff kit
-----------	---------------------------

Development Board Kits*

DK1302-ST	Dual RS232 Serial Interface with StackableUSB stack-through connector; Windows-ready development kit
DK1302-PC	Dual RS232 Serial Interface, Mini-B USB connector for PC connection; Windows-ready development kit

*See Development Kit Specifications