



Ethernet-based Embedded PC with Built-in UDP/IP Stack Netsock/100



Features

- ✓ Ready-to-run embedded PC
- ✓ 10BASE-T Ethernet port with onboard Embedded Netsock™ UDP/IP stack
- ✓ Small PC/104 format and expansion
- ✓ Two RS232/RS485 COM ports
- ✓ 24 TTL-compatible I/O lines
- ✓ 8 analog in, 4 analog out (optional)
- ✓ Onboard flash downloader and operating system
- ✓ 5V-only operation

Netsock/100 provides a turnkey, network-oriented platform on which to build embedded systems. Based on the Micro/sys SBC1190 embedded PC and its built-in 10BASE-T Ethernet port, Netsock/100 is a small PC/104 format computer that offers mid-range performances, and that can significantly reduce development time.

In addition to the SBC1190's 80C188 CPU, 512k RAM, 512k flash, 24TTL I/O lines, and pre-loaded operating system, Netsock/100 also includes the innovative Embedded Netsock UDP/IP stack. Upon powerup, a subset of the popular Winsock functions are immediately available for powerful net-working operations.

With networking software pre-installed and pre-integrated, bringing up multi-station embedded systems is much easier than in the past. And there are no royalties for any of the included software when production volumes begin.

Netsock/100 is completely turnkey. It displays a sign on message when 5V is applied. Clip in a standard network cable, and it communicates with a network. Cables, documentation, and example programs are all supplied with the free development kit. If required by an application, Netsock/100 offers two options: 8 channels of analog input and 4 channels of analog output.

Software Support

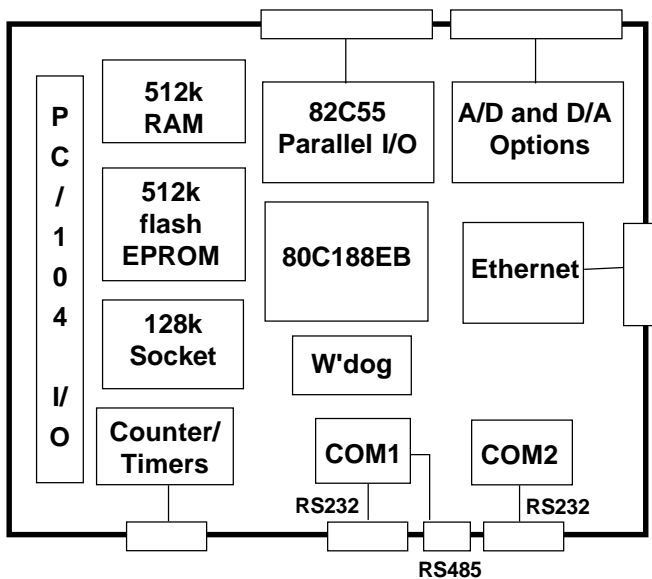
*DOS emulation, RUN.EXE™
Turbo Debugger™
Comm library, CommBLOK™
PID loop library, PidBLOK™,
C, compilers
[Items above in Section 6]
UDP/IP*

Compatible Hardware

*PC/104 expansion cards
[Items above in Section 4]
RS232/RS485 devices
Ethernet Networks
Analog sensors
Analog controls
Custom*

Mounting/Packaging

*Enclosure, ENC104-3
Standoffs, STDOFF01
[Items above in Section 5]
Custom*



Winsock API Subset
socket ()
closesocket ()
setsockopt ()
getsockopt ()
recvfrom ()
sendto ()
bind ()
ioctlsocket ()
inet_addr ()
inet_ntoa ()
WSAStartup ()
WSACleanup ()
WSAGetLastError ()

Specifications:

Embedded PC Features:

- PC/104 standard
- 25MHz 80C188 CPU
- 512K RAM, 512K flash installed
- Two serial ports, 24 TTL I/O lines
- 10BASE-T Ethernet, RJ45
- Optional 8 analog in, 4 analog out
- See SBC1190 data sheet for complete details

Free On-board Network Software:

- Flash Setup™ configuration utility
- UDP/IP driver stack preloaded into flash
- Implements subset of Winsock functions (see chart above)
- SOCK_DGRAM (UDP datagram) and SOCK_RAW (low level) sockets supported
- IP, UDP, ARP, DHCP, ICMP protocols
- Dynamically linked with application program

Ordering Information:

Netsock/100	SBC1190-25, 512K RAM, 512K Flash, & Embedded Netsock™
DK100N	No charge development kit available with first order only.
1190OPT11	A/D Converter, 8-Channel
1190OPT12	D/A Converter, 4-Channel

RUN.EXE, Flash Setup, Embedded Netsock
 trademark Micro/sys, Inc.
 CommBLOK, PidBLOK, OptoBLOK
 trademark Drumlin
 Turbo Debugger
 trademark Borland International