



# Embedded 386EX PC with Built-in UDP/IP Stack Netsock/300



## Features

- ✓ Ready-to-run embedded PC
- ✓ Ethernet port with onboard Embedded Netsock™ UDP/IP stack
- ✓ 8.5" x 5" format with PC104 expansion
- ✓ 386EX CPU, 25MHz
- ✓ Up to 16MB RAM, 512K flash
- ✓ COM1, COM2, LPT, LCD, keypad
- ✓ 24 TTL I/O lines
- ✓ 8 or 16 analog in, 4 or 8 analog out (optional)
- ✓ Dual hi-performance serial ESCC (optional)

Netsock/300 provides a turnkey, network-oriented platform on which to build embedded systems. Based on the Micro/sys SBC3386EX embedded PC and its built-in Ethernet port, Netsock/300 is a powerful 386EX computer that offers midrange to highrange performance, and that can significantly reduce development time. In addition to the SBC3386EX's 386EX CPU, 16M RAM and 512K flash memory capacity, on-board serial, parallel, LCD, and keypad ports, 24-TTL I/O lines, analog I/O options, and pre-loaded operating system, Netsock/300 also includes the innovative Embedded Netsock UDP/IP stack. Upon power-up, a subset of the popular Winsock

functions are immediately available for powerful networking operations. With networking software pre-integrated, bringing up multi-station embedded systems is much easier than in the past. And there are no royalties for any of the included software when production volumes begin. Netsock/300 is completely turnkey. It displays a sign-on message when 5V is applied. Clip in a standard network cable, and it communicates with a network. Cables, documentation, and example programs are all supplied with the free development kit. If required by an application, Netsock/300 offers optional: 8 or 16 channels of analog input and 4 or 8 channels of analog outputs.

### Software Support

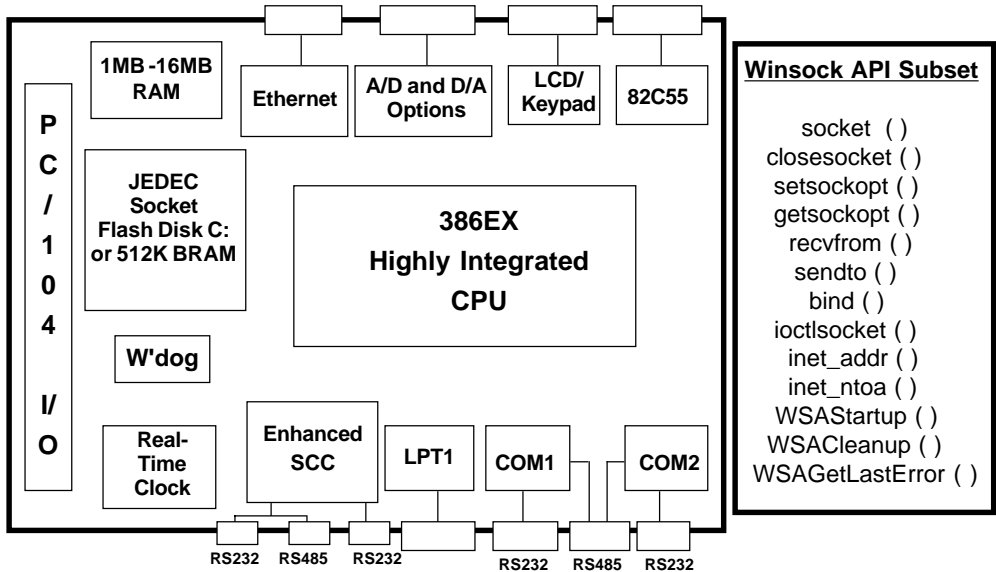
*DOS emulation, RUN.EXE™, MSDOS 5.0, TurboDebugger™  
Comm library, CommBLOK™  
PID loop library, PidBLOK™,  
C, BASIC, compilers*  
[Items above in Section 6]  
*Novell Netware  
UDP/IP Networks*

### Compatible Hardware

*PC/104 expansion cards  
[Items above in Section 4]  
RS232/RS485 devices  
Ethernet Networks  
Analog sensors  
Analog controls  
Custom*

### Mounting/Packaging

*Enclosure, ENC104-3  
Standoffs, STDOFF01  
[Items above in Section 5]  
Custom*



## Specifications:

### Embedded PC Features:

- 8.5" x 5", with PC/104 expansion
- 386EX CPU at 25MHz
- 1MB RAM, expandable to 16MB
- 512K flash, expandable to 8MB
- COM1, COM2, LPT, LCD, keypad
- Digital I/O, optional analog I/O
- Optional dual ESCC serial ports
- See SBC3386EX data sheet for complete details

### Free On-board Network Software:

- Flash Setup™ configuration utility
- UDP/IP driver stack preloaded into flash
- Implements subset of Winsock functions (see chart above)
- IP, UDP, ARP, DHCP, ICMP protocols
- Dynamically linked with application program
- Version available without UDP/IP stack. Call factory for information.

## Ordering Information:

|               |  |
|---------------|--|
| Netsock/300   | SBC3386EX, Ethernet (T/Pair, RJ45), & Embedded Netsock™    |
| Netsock/300-2 | SBC3386EX, Ethernet (Coax, BNC), & Embedded Netsock™       |
| DK300N        | No charge development kit, available with first order only |
| 3386OPT1      | 4M RAM total   |
| 3386OPT2      | 16M RAM total  |
| 3386OPT10     | Dual high performance sync/async comm ports (Z85C30)       |
| 3386OPT11-8   | A/D Converter, 8-Channel                                   |
| 3386OPT11-16  | A/D Converter, 16-Channel                                  |
| 3386OPT12-4   | D/A Converter, 4-Channel                                   |
| 3386OPT12-8   | D/A Converter, 8-Channel                                   |

RUN.EXE, Flash Setup, Embedded Netsock  
 trademark Micro/sys, Inc.  
 CommBLOK, PidBLOK, OptoBLOK  
 trademark Drumlin  
 Turbo Debugger  
 trademark Borland International