



Embedded 486DX PC with Built-in UDP/IP Stack Netsock/400



Features

- ✓ Ready-to-run embedded PC
- ✓ 10BASE-T Ethernet port with onboard Embedded Netsock™ UDP/IP stack
- ✓ 8.5" x 5" format with PC/104 expansion
- ✓ 486DX CPU, 66 or 100Mhz
- ✓ Up to 32MB RAM
- ✓ COM1, COM2, KBD, mouse, speaker
- ✓ 22 TTL-compatible I/O lines, 6 timers
- ✓ 8 Analog in/ 4 analog out (optional)

Netsock/400 provides a turnkey, network-oriented platform on which to build embedded systems. Based on the Micro/sys SBC2486DX embedded PC and its built-in 10BASE-T Ethernet port, Netsock/400 is a powerful 486DX computer that offers high performance, and that can significantly reduce development time.

In addition to the SBC2486DX's 486DX CPU, large memory capacity, 22-TTL I/O lines, analog I/O options, and pre-loaded operating system, Netsock/400 also includes the innovative Embedded Netsock UDP/IP stack. Upon power-up, a subset of the popular Winsock functions are immediately available for powerful networking operations.

With networking software pre-integrated, bringing up multi-station embedded systems is much easier than in the past. And there are no royalties for any of the included software when production volumes begin.

Netsock/400 is completely turnkey. It displays a sign-on message when 5V is applied. Clip in a standard network cable, and it communicates with a network. Cables, documentation, and example programs are all supplied with the free development kit. If required by an application, Netsock/400 offers two options: 8 channels of analog input and 4 channels of analog outputs.

Software Support

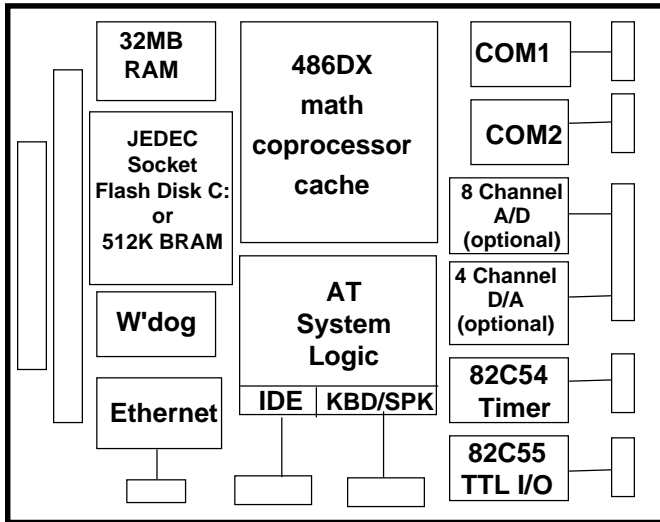
*DOS emulation, RUN.EXE™
Turbo Debugger™
Comm library, CommBLOK™
PID loop library, PidBLOK™,
C, compilers
[Items above in Section 6]
UDP/IP Networks*

Compatible Hardware

*PC/104 expansion cards
[Items above in Section 4]
RS232/RS485 devices
Ethernet Networks
Analog sensors
Analog controls
Custom*

Mounting/Packaging

*Enclosure, ENC104-3
Standoffs, STDOFF01
[Items above in Section 5]
Custom*



Winsock API Subset

```

socket ( )
closesocket ( )
setsockopt ( )
getsockopt ( )
recvfrom ( )
sendto ( )
bind ( )
ioctlsocket ( )
inet_addr ( )
inet_ntoa ( )
WSAStartup ( )
WSACleanup ( )
WSAGetLastError ( )

```

Specifications:

Embedded PC Features:

- 8.5" x 5", with PC/104 expansion
- 486DX CPU at 66 or 100MHz
- 4MB RAM, expandable to 32MB
- 512K flash, expandable to 72MB
- COM1, COM2, KBD, mouse
- Digital I/O, optional analog I/O
- See SBC2486DX data sheet for complete details

Free On-board Network Software:

- Flash Setup™ configuration utility
- UDP/IP driver stack preloaded into flash
- Implements subset of Winsock functions (see chart above)
- IP, UDP, ARP, DHCP, ICMP protocols
- Dynamically linked with application program
- Version available without UDP/IP stack. Call factory for information.

Ordering Information:

Netsock/400

Netsock/400-100

DK400N

2486DXOPT1

2486DXOPT3

2486DXOPT10

2486DXOPT11

2486DXOPT25

RUN.EXE, Flash Setup, Embedded Netsock
trademark Micro/sys, Inc.

CommBLOK, PidBLOK, OptoBLOK
trademark Drumlin

Turbo Debugger

trademark Borland International

SBC2486DX, Ethernet, &
Embedded Netsock™
SBC2486DX-100,
Ethernet, & Embedded
Netsock™

No charge development
kit, available with first
order only.

8MB RAM total
32MB RAM total
A/D Converter, 8-Channel
D/A Converter, 4-Channel
MSDOS 5.0 in Bootable
Flash ROMdisk A: