



Embedded 486DX PC with Built-in UDP/IP Stack Netsock/410



Features

- ✓ Ready-to-run embedded PC
- ✓ 10/100MHz Ethernet port with onboard Embedded Netsock™ UDP/IP stack
- ✓ Small 5" x 5" format with PC/104 expansion
- ✓ 486DX CPU, 66, 80, or 133MHz
- ✓ Up to 64MB RAM
- ✓ COM1, COM2, LPT, LCD, KBD, mouse, speaker
- ✓ CRT and flat panel VGA
- ✓ Matrix touchscreen/keypad input
- ✓ 8 Analog in, 4 analog out (optional)

Netsock/410 provides a turnkey, network-oriented platform on which to build embedded systems. Based on the Micro/sys SBC0486 embedded PC and its built-in 10/100MHz Ethernet port, Netsock/410 is a small powerful 486DX computer that offer high performance, and that can significantly reduce development time.

In addition to the SBC0486's 486DX CPU, large memory capacity, VGA output, touchscreen/keypad input, 24-TTL I/O lines, analog I/O options, and pre-loaded operating system, Netsock/410 also includes the innovative Embedded Netsock UDP/IP stack. Upon power-up, a subset of the popular Winsock functions are immediately available for powerful networking operations.

With networking software pre-integrated, bringing up multi-station embedded systems is much easier than in the past. And there are no royalties for any of the included software when production volumes begin.

Netsock/410 is completely turnkey. It displays a sign-on message when 5V is applied. Clip in a standard network cable, and it communicates with a network. Cables, documentation, and example programs are all supplied with the free development kit. If required by an application, Netsock/410 offers two options: 8 channels of analog input and 4 channels of analog outputs.

Software Support

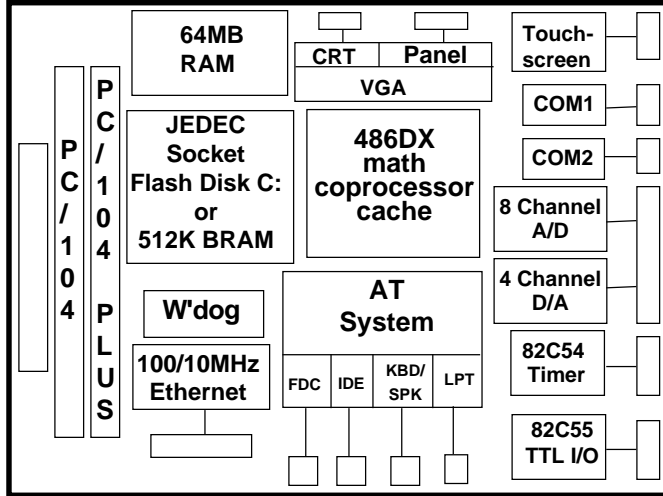
*DOS emulation,
Turbo Debugger™
Comm library, CommBLOK™
PID loop library, PidBLOK™,
C, compilers*
[Items above in Section 6]
UDP/IP Networks

Compatible Hardware

PC/104 expansion cards
[Items above in Section 4]
RS232/RS485 devices
Ethernet Networks
Analog sensors
Analog controls
Custom

Mounting/Packaging

*Enclosure, ENC104-3
Standoffs, STDOFF01*
[Items above in Section 5]
Custom



Winsock API Subset	
socket ()	
closesocket ()	
setsockopt ()	
getsockopt ()	
recvfrom ()	
sendto ()	
bind ()	
ioctlsocket ()	
inet_addr ()	
inet_ntoa ()	
WSAStartup ()	
WSACleanup ()	
WSAGetLastError ()	

Specifications:

Embedded PC Features:

- 5" x 5", with PC/104 expansion
- 486DX CPU at 66, 80, or 133MHz
- 8MB RAM, expandable to 64MB
- 1MB flash, expandable to 72MB
- VGA, COM1, COM2, LPT, LPT, KBD, mouse
- Digital I/O, optional analog I/O
- See SBC0486 data sheet for complete details

Free On-board Network Software:

- UDP/IP driver stack preloaded into flash
- Implements subset of Winsock functions (see chart above)
- IP, UDP, ARP, DHCP, ICMP protocols
- Dynamically linked with application program
- Version available without UDP/IP stack. Call factory for information.

Ordering Information:

Netsock/410	SBC0486, Ethernet, & Embedded Netsock™
DK410N	No charge development kit, available with first order only.
0486OPT2	32MB RAM total
0486OPT3	64MB RAM total
0486OPT11	A/D Converter, 8-Channel
0486OPT12	D/A Converter, 4-Channel
0486OPT25	MSDOS 5.0 in Bootable Flash ROMdisk A:
Embedded Netsock	trademark Micro/sys, Inc.
CommBLOK, PidBLOK, OptoBLOK	trademark Drumlin
Turbo Debugger	trademark Borland International