



Embedded 486DX PC with Built-in UDP/IP Stack Netsock/430



Features

- ✓ Ready-to-run embedded PC
- ✓ 10Base-T Ethernet port with onboard Embedded Netsock™ UDP/IP stack
- ✓ Small PC104 format
- ✓ 486DX CPU, 66MHz
- ✓ DiskOnChip®, up to 32MB RAM
- ✓ COM1, COM2, KBD, mouse, speaker
- ✓ PC/104 expansion
- ✓ -40°C to +85°C operation available

Netsock/430 provides a turnkey, network-oriented platform on which to build embedded systems. Based on the Micro/sys SBC1490 embedded PC and its built-in 10BASE-T Ethernet port, Netsock/430 is a powerful 486DX computer that offers high performance, and that can significantly reduce development time.

In addition to the SBC1490's 486DX CPU, large memory capacity, VGA output, and pre-loaded operating system, Netsock/430 also includes the innovative Embedded Netsock UDP/IP stack. Upon power-up, a subset of the popular Winsock functions is immediately available for powerful networking operations.

With networking software pre-integrated, bringing up multi-station embedded systems is much easier than in the past. And there are no royalties for any of the included software when production volumes begin.

Netsock/430 is completely turnkey. It displays a sign-on message when 5V is applied. Clip in a standard network cable, and it communicates with a network. Cables, documentation, and example programs are all supplied with the free development kit.

Software Support

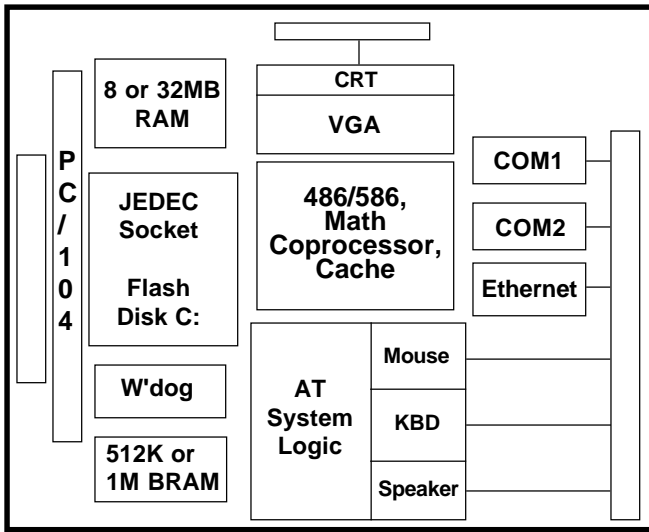
*DOS emulation, MSDOS 5.0,
Linux, VxWorks®, 32-bit
RTOS, Windows 98/NT/CE,
TurboDebugger™
Comm library, CommBLOK™
PID loop library, PidBLOK™,
C, compilers
[items above in Section 6]*

Compatible Hardware

*PC/104 expansion cards
[items above in Section 4]
RS232/RS485 devices
Custom*

Mounting/Packaging

*Standoffs, STDOFF01
[Items above in Section 5]
Custom*



```

Winsock API Subset

socket ( )
closesocket ( )
setsockopt ( )
getsockopt ( )
recvfrom ( )
sendto ( )
bind ( )
ioctlsocket ( )
inet_addr ( )
inet_ntoa ( )
WSAStartup ( )
WSACleanup ( )
WSAGetLastError ( )

```

Specifications:

Embedded PC Features:

- PC/104 format
- 486DX CPU at 66MHz
- 8MB RAM, expandable to 32MB
- DiskOnChip® support, 1M flash, expandable to 144MB
- VGA, COM1, COM2, KBD, mouse
- See SBC1490 data sheet for complete details

Free On-board Network Software:

- Flash SetUp™ configuration utility
- UDP/IP driver stack preloaded into flash
- Implements subset of Winsock functions [see chart above]
- IP, UDP, ARP, DHCP, ICMP protocols
- Dynamically linked with application program
Version available without UDP/IP stack.
Call factory for information.

Ordering Information:

Single Board Computer:

- | | |
|----------------|--|
| Netsock/430 | SBC1490, Ethernet & Embedded Netsock™ |
| Netsock/430-ET | Extended Temperature Version |
| DK430N | No charge development kit, available with first order only |
| 1490OPT1 | 32MB RAM Total |
| 1490OPT3 | 512KB battery-backed RAM |
| 1490OPT4 | 1MB battery-backed RAM |
| 1490OPT25 | MSDOS in bootable flash ROMdisk A: |
| 1490OPT30-8 | 8MB Flash Disk C: |
| 1490OPT30-24 | 24MB Flash Disk C: |
| 1490OPT30-48 | 48MB Flash Disk C: |
| 1490OPT30-64 | 64MB Flash Disk C: |
| 1490OPT50 | Linux startup kernel installed in flash |

Add -ET to option for extended temp operation

RUN.EXE, Flash Setup, Embedded Netsock trademark Micro/sys, Inc.
CommBLOK, PidBLOK, OptoBLOK trademark Drumlin
Turbo Debugger trademark Borland International
VxWorks trademark Wind River