

# 7,000V Surface Mount Multiplier

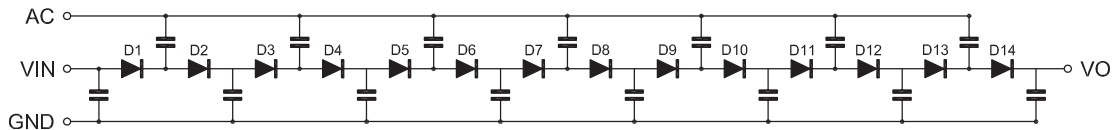
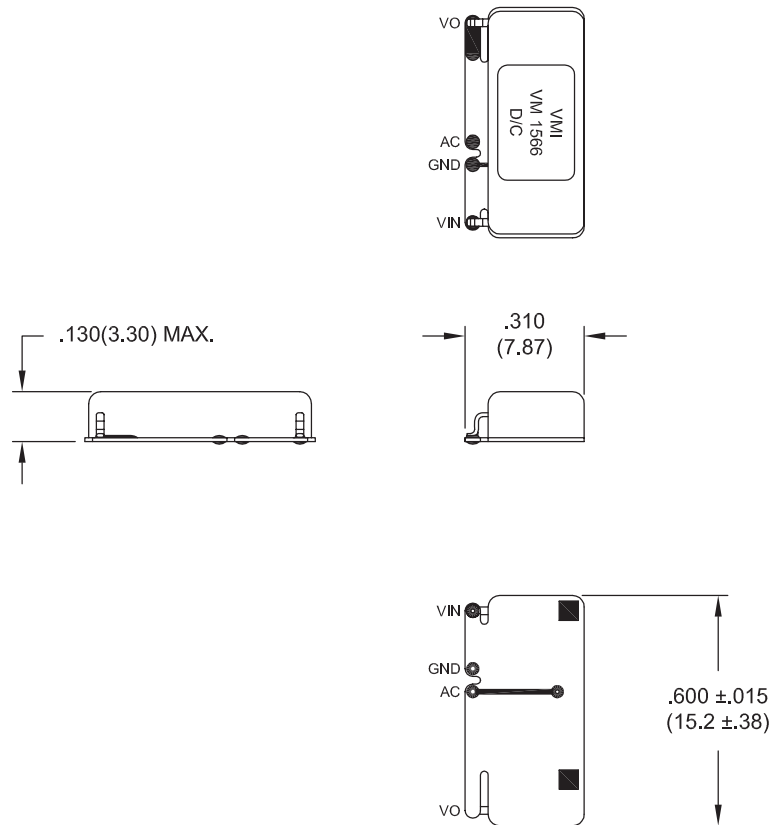
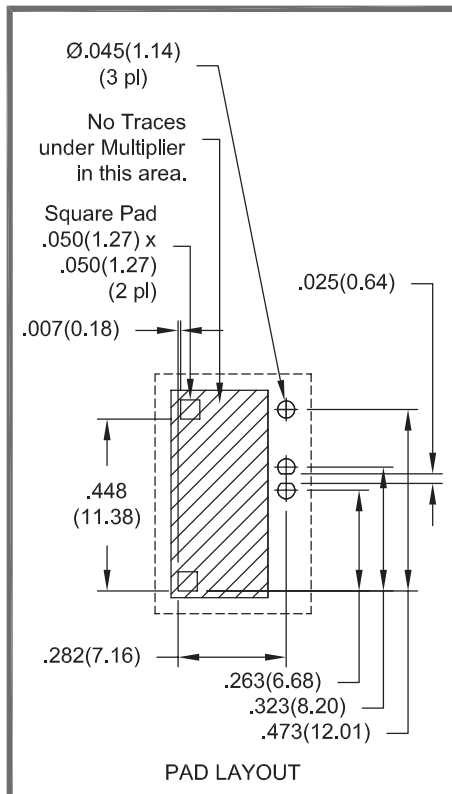
Original Released: 05-23-08  
 Revised Date: 09-13-11

**0 $\mu$ A - 50.0 $\mu$ A • 14 Stages**

| ELECTRICAL CHARACTERISTICS AND MAXIMUM RATINGS |                            |  |   |                                  |                   |                  |
|--|----------------------------|--|---|----------------------------------|-------------------|------------------|
| Part Number                                    | Maximum A.C. Input Voltage | Maximum D.C. Output Voltage (One Multiplier) | Maximum D.C. Output Voltage (Two Multipliers in Series or Floating) | Typical Output Current Range (1) | Typical Frequency | Number of Stages |
|  | V <sub>PP</sub>            | V <sub>DC</sub>                              | V <sub>DC</sub>   | $\mu$ A                          | kHz               |                  |
| VM1566   | 1200                       | 7000   | + 7000  | 0 - 50.0                         | 10 - 100          | 14               |
| Operating Temp: -55°C to +150°C                |                            |  | Storage Temp: -65°C to +150°C                                       |                                  |                   |                  |

Plating:  
 Electroless Nickel / Immersion Gold  
 (ENIG) per IPC-4552.

Tolerance:  
 .XXX  $\pm$ .010



Dimensions: In. (mm) • All temperatures are ambient unless otherwise noted. • Data subject to change without notice.



**Voltage Multipliers Inc.**

8711 W. Roosevelt Ave.  
 Visalia, CA 93291 USA

Tel: 559.651.1402  
 Fax: 559.651.0740

www.voltagemultipliers.com  
 www.highvoltagepowersupplies.com