

HeNe Laser Power Supply

LP6100P Series

PART NUMBER SPECIFICATION

Series Name
Laser Power Supply, 6W

XXX = Run Current
Range = 200 to 500
(ex. 200 = 2.0mA
500 = 5.0mA)

LP6 100 P XXX YY

10.0kV Start Voltage

Output Polarity
P = Positive

YY = VinDC
-05 = 5V
-12 = 12V
-15 = 15V
-24 = 24V



SPECIFICATIONS

Electrical:	LP6100P Series
Input Voltage:	5, 12, 15, or 24V DC
Start Voltage:	> 10kV
Run Current:	2.0 to 5.0 mA
Run Voltage:	1000-1750VDC
Current Ripple:	< 0.1%rms
Current Regulation:	+/- 0.1mA
Efficiency:	> 75%
Power:	6W

Input/Output:

• Input Connector	Molex 09-50-7031
• Output Lead	#22AWG, 20kV Wire
• Output Connector	Optional, Contact Factory

Environmental:

• Storage Temperature	-40°C to +85°C
• Operating Temperature	-5°C to +60°C

Features:

- Low ripple current
- High efficiency
- Excellent load & line regulation
- Short circuit protection

LP6 Series

The LP6 series of power supplies is designed for critical Helium Neon laser applications.

Standard features include short circuit protection, 75% or higher efficiency, and excellent regulation.

The LPS is especially suitable for precision applications where low ripple is essential.

Rugged and light weight, the LPS series is extremely reliable.

Dimensions: In. (mm) • All temperatures are ambient unless otherwise noted. • Data subject to change without notice.



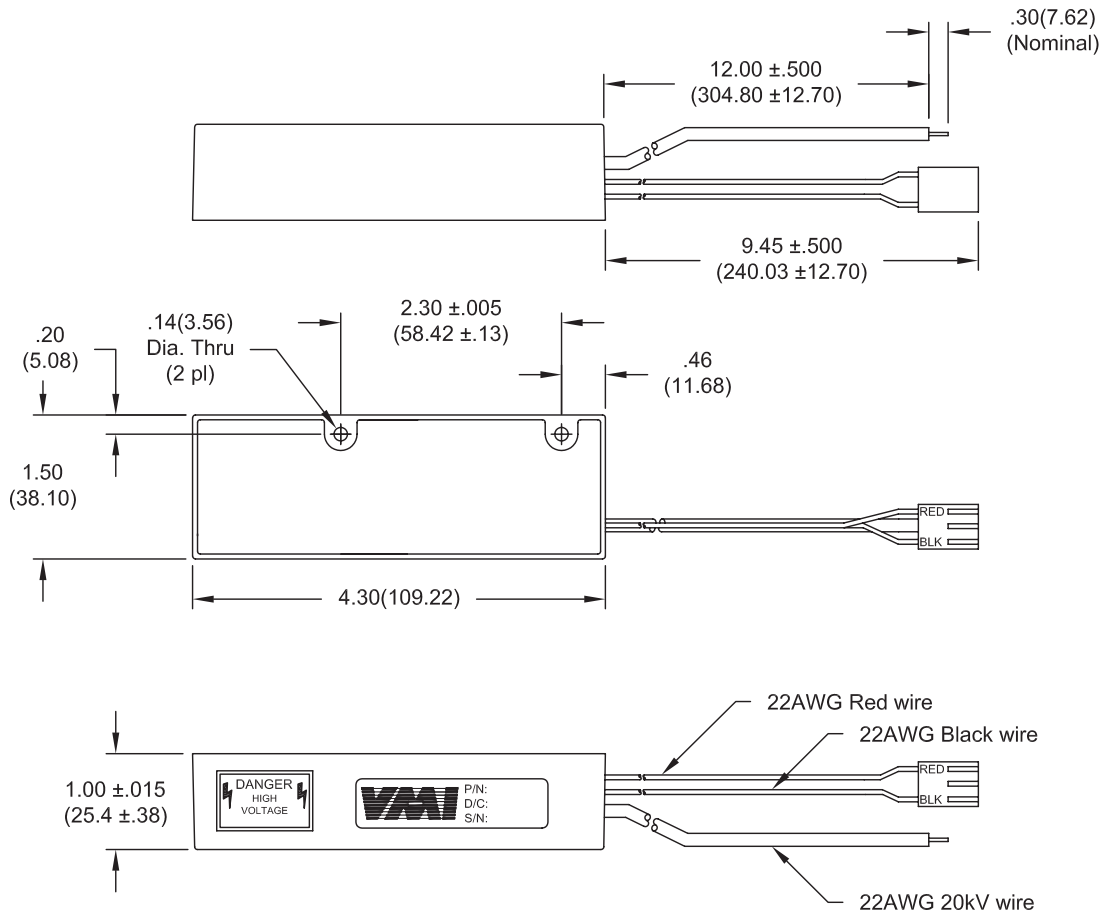
Voltage Multipliers Inc.

8711 W. Roosevelt Ave.
Visalia, CA 93291 USA

Tel: 559.651.1402
Fax: 559.651.0740

www.voltagemultipliers.com
www.highvoltagepowersupplies.com

LP6100P Series



Input	Nominal V_{IN} DC	Range
RED	+5V	4.75V TO 6.0V
	+12V	10.8V TO 13.2V
	+15V	13.5V TO 16.5V
	+24V	21.6V TO 26.4V
BLACK	GND	—

Dimensions: In. (mm) • All temperatures are ambient unless otherwise noted. • Data subject to change without notice.



Voltage Multipliers Inc.

8711 W. Roosevelt Ave.
Visalia, CA 93291 USA

Tel: 559.651.1402
Fax: 559.651.0740

www.voltagemultipliers.com
www.highvoltagepowersupplies.com