

CRT Power Supply

CRS110G50 • CRS180G60



ELECTRICAL RATINGS

Part Number	V_0	$G2_{(MAX)}$
	kV	V
CRS110G50	6.0 - 11.0	200-500
CRS180G60	11.0 - 18.0	200-600

SPECIFICATIONS

Input Voltage:	+24VDC \pm 10%
Anode Output Voltage:	6-11kVDC CRS110G50 adjustable 11-18kVDC CRS180G60 adjustable
Anode Output Current:	0 to 550 μ A CRS110G50 0 to 550 μ A CRS180G60
Anode Ripple Voltage:	< 1% peak to peak
Anode Load Regulation:	< 0.1% for NL to FL change
G2 Output Voltage:	200 to 500VDC CRS110G50 adjustable 200 to 600VDC CRS180G60 adjustable
G2 Output Current:	0 to 50 μ A CRS110G50 0 to 50 μ A CRS180G60
G2 Ripple Voltage:	< 1% peak to peak
G2 Regulation:	< 0.1% for NL to FL change
Environmental:	
• Storage Temperature	-25°C to +85°C
• Operating Temperature	0°C to +50°C



Features:

- Low ripple
- Excellent regulation
- Arc and short circuit protection
- Adjustable anode voltage

CRS Series

The CRS110G50 & CRS180G60 power supplies provide 11kV and 18kV anode voltages as well as G2 voltage adjustable to 500V & 600V respectively. These supplies feature excellent regulation, low ripple and adjustable anode voltage.

Dimensions: In. (mm) • All temperatures are ambient unless otherwise noted. • Data subject to change without notice.

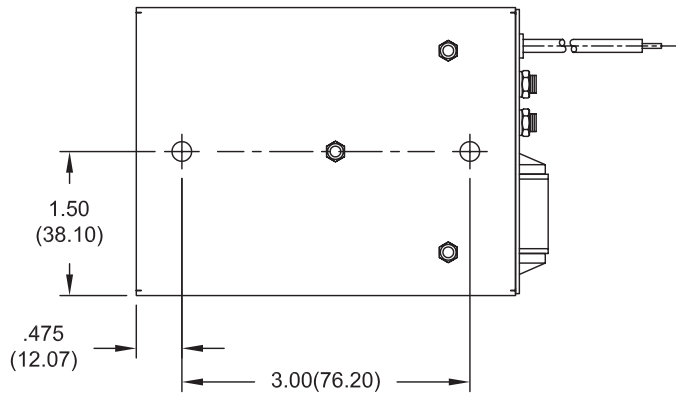
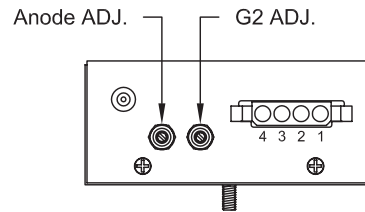
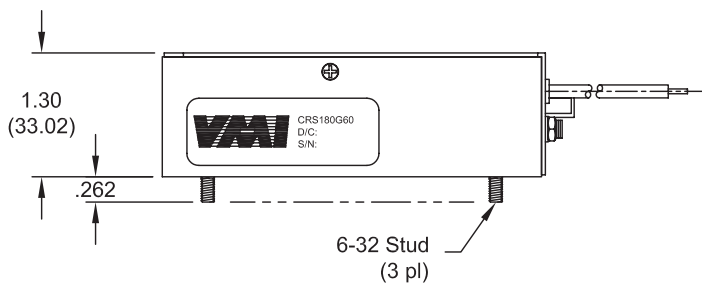
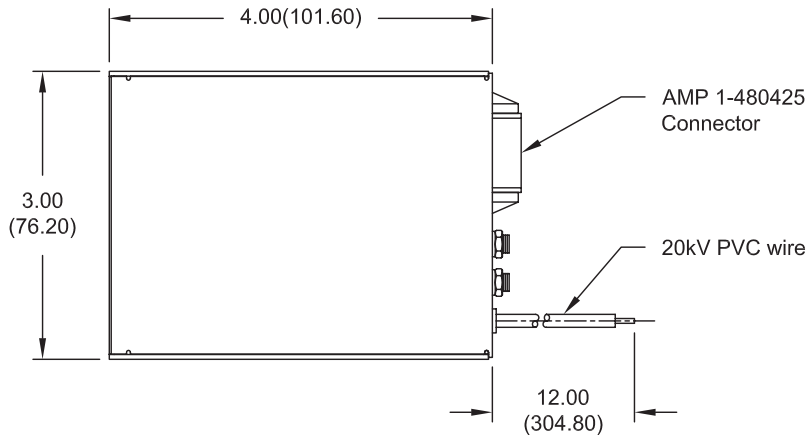


VOLTAGE MULTIPLIERS INC.
8711 W. Roosevelt Ave.
Visalia, CA 93291

TEL. 559-651-1402
FAX 559-651-0740

www.voltagemultipliers.com
www.highvoltagepowersupplies.com

CRS110G50 CRS180G60



INTERFACE PIN ASSIGNMENT	
1	G2 Out
2	+24VDC
3	Factory use only
4	Ground

Dimensions: In. (mm) • All temperatures are ambient unless otherwise noted. • Data subject to change without notice.



VOLTAGE MULTIPLIERS INC.
8711 W. Roosevelt Ave.
Visalia, CA 93291

TEL. 559-651-1402
FAX 559-651-0740

www.voltagemultipliers.com
www.highvoltagepowersupplies.com