

# Portable X-Ray Power Supply

XRS040N100 • XRS050N200

## ELECTRICAL RATINGS

Part Number	V <sub>MAX</sub>	I <sub>MAX</sub>
	kV	μA
XRS040N100	-40	100
XRS050N200	-50	200

## SPECIFICATIONS

### XRS040N100:

Input Voltage:	7-12VDC
Reverse Polarity Protection:	Series Diode
Max. Output Power:	4 Watts
Output Voltage Range:	-10kVDC to -40kVDC
Output Current:	0 to 100μA

### XRS050N200:

Input Voltage:	9-12VDC
Reverse Polarity Protection:	None
Max. Output Power:	10 Watts
Output Voltage Range:	-10kVDC to -50kVDC
Output Current:	0 to 200μA

### Electrical:

#### XRS Series

Output Ripple Voltage:	< 1% peak to peak
Load Regulation:	1% for NL to FL change
Line Regulation:	1% over input range
Filament Voltage:	2Vrms nominal
Filament Current:	300mA Max.

### Interface Signals:

• Output Voltage Control	0-4V = 0-100%
• Output Voltage Monitor	0-4V = 0-100%
• Output Current Control	0-4V = 0-100%
• Output Current Monitor	0-4V = 0-100%
• Enable	+5VDC = ON, <1VDC = OFF

### Environmental:

• Storage Temperature	-40°C to +85°C
• Operating Temperature	-10°C to +50°C



## Features:

- Voltage & current programming
- Voltage & current monitoring
- Low ripple
- Excellent load & line regulation
- Light weight

## XRS Series

The XRS series power supplies provide up to 4 to 10 watts of output power up to -40kV to -50kV max. The outputs are fully adjustable over the specified operating range. Rugged and light weight, the XRS series brings you the features you need with the proven reliability and quality built into all VMI's products.

Dimensions: In. (mm) • All temperatures are ambient unless otherwise noted. • Data subject to change without notice.



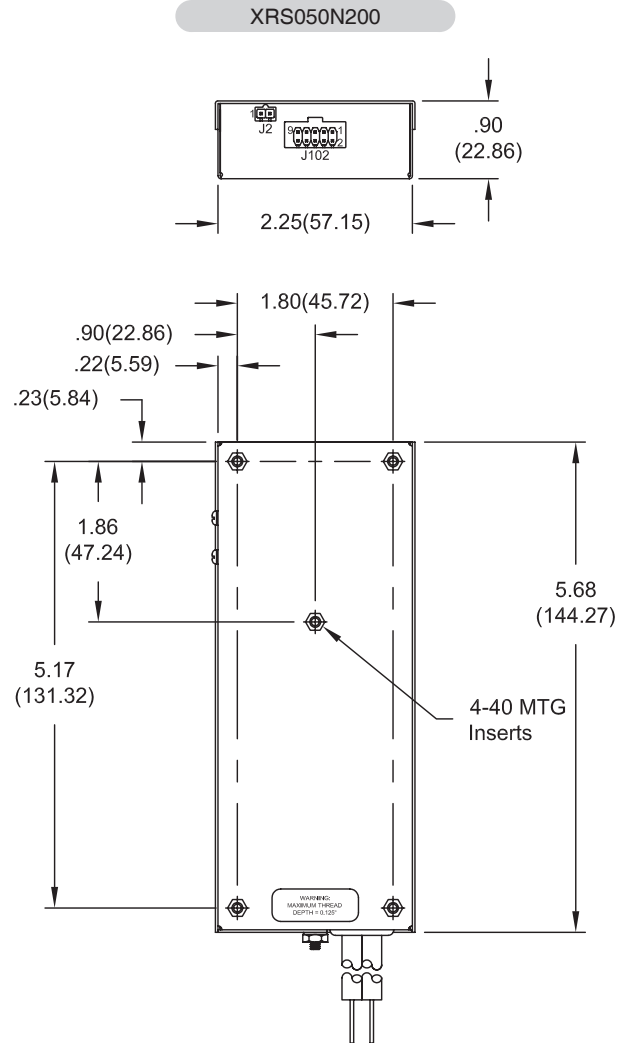
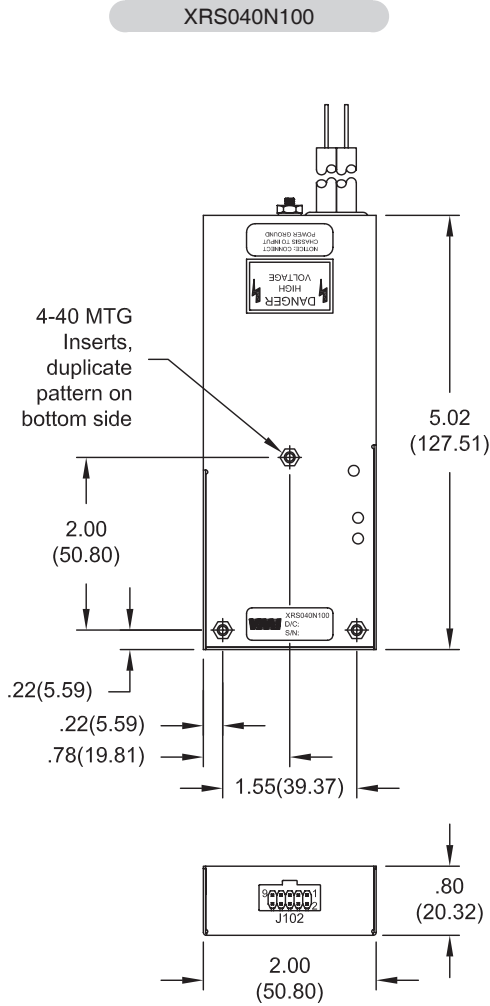
Voltage Multipliers Inc.

8711 W. Roosevelt Ave.  
Visalia, CA 93291 USA

Tel: 559.651.1402  
Fax: 559.651.0740

[www.voltagemultipliers.com](http://www.voltagemultipliers.com)  
[www.highvoltagepowersupplies.com](http://www.highvoltagepowersupplies.com)

# XRS040N100 XRS050N200



J102	
PIN	FUNCTION
1	10V Input
2	10V Input
3	GND
4	GND
5	Current Control
6	HV Control
7	FIL Ready
8	HV Enable
9	HV Monitor
10	Current Monitor

J2	
PIN	FUNCTION
1	10V Input
2	GND

Dimensions: In. (mm) • All temperatures are ambient unless otherwise noted. • Data subject to change without notice.



**Voltage Multipliers Inc.**

8711 W. Roosevelt Ave.  
Visalia, CA 93291 USA

Tel: 559.651.1402  
Fax: 559.651.0740

[www.voltagemultipliers.com](http://www.voltagemultipliers.com)  
[www.highvoltagepowersupplies.com](http://www.highvoltagepowersupplies.com)