

LISA2-CLIP16 MINIATURE LENSES FOR OSRAM OSLOK SSL/SX LEDS



- Lens material optical grade PMMA with high UV and temperature resistance (105°C/220°F). Lens holder molded of high quality black PC(120°C/248°F).
- High optical efficiency, up to 90%.
- Integrated holder with small snap clips. See drawing below for more details of fastening the holder to PCB.
- Very small and compact dimensions: Diameter 9.9 mm, height 6.8 mm.

LENS TYPES

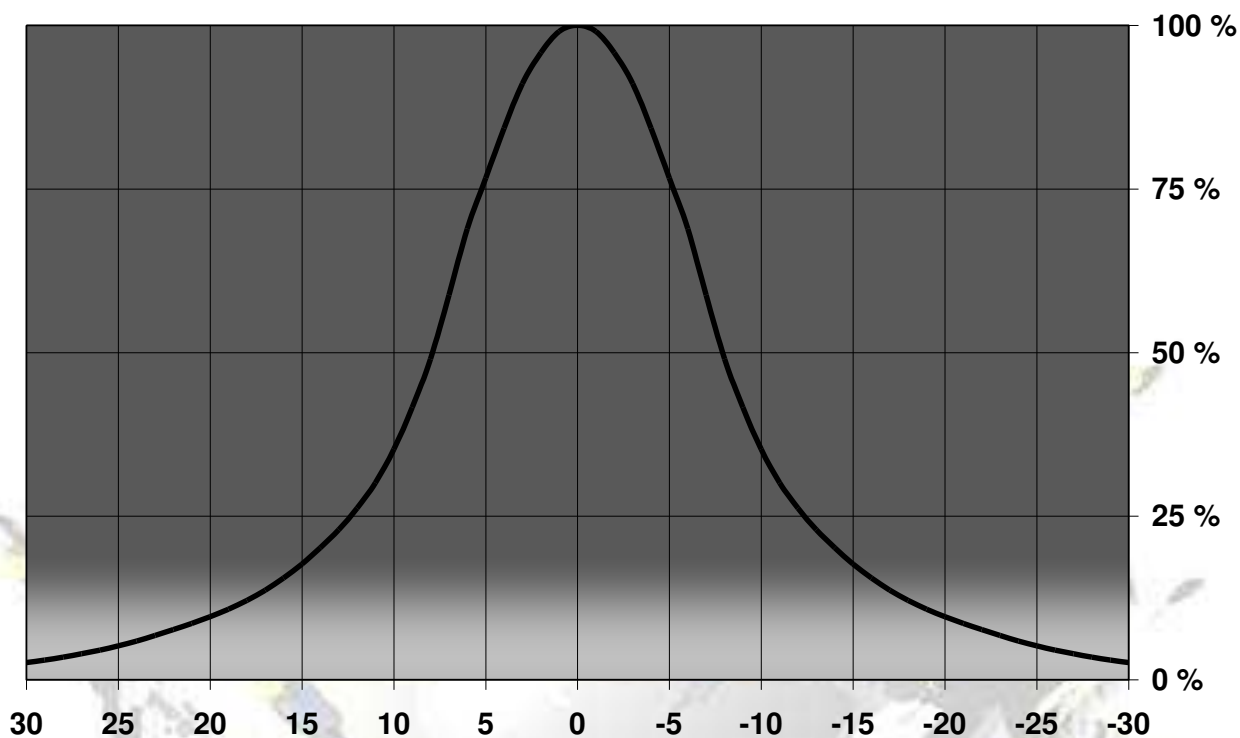
NAME	ORDERING CODE	FWHM Angle
Lisa2-Clip16 Real Spot	FA11084_Lisa2-RS-clip16-OSL	±8°
Lisa2-Clip16 Medium	FA11081_Lisa2-M-clip16-OSL	±12°
Lisa2-Clip16 Oval	FA11120_Lisa2-O-clip16-OSL	±9.5° x ±24°
Lisa2-Clip16 Oval 90°	FA11857_Lisa2-O-90-clip16-OSL	±9.5° x ±24°
Lisa2-Clip16 Wide	FA11082_Lisa2-W-clip16-OSL	±16°
Lisa2-Clip16 WW	FA11083_Lisa2-WW-clip16-OSL	~±30°
Lisa2-Clip16 WWW	FA11958_Lisa2-WWW-Clip16-OSL	~±40°

NAME	ORDERING CODE	FWHM Angle
Lisa2-Clip16 Real Spot	FA11084_Lisa2-RS-clip16-OSL-SX	±8°
Lisa2-Clip16 Medium	FA11081_Lisa2-M-clip16-OSL-SX	±12°
Lisa2-Clip16 Oval	FA11120_Lisa2-O-clip16-OSL-SX	±9.5° x ±24°
Lisa2-Clip16 Oval 90°	FA11857_Lisa2-O-90-clip16-OSL-SX	±9.5° x ±24°
Lisa2-Clip16 Wide	FA11082_Lisa2-W-clip16-OSL-SX	±16°
Lisa2-Clip16 WW	FA11083_Lisa2-WW-clip16-OSL-SX	~±30°
Lisa2-Clip16 WWW	FA11958_Lisa2-WWW-Clip16-OSL-SX	~±40°

© Ledil Oy - PRELIMINARY - Subject to change without prior notice

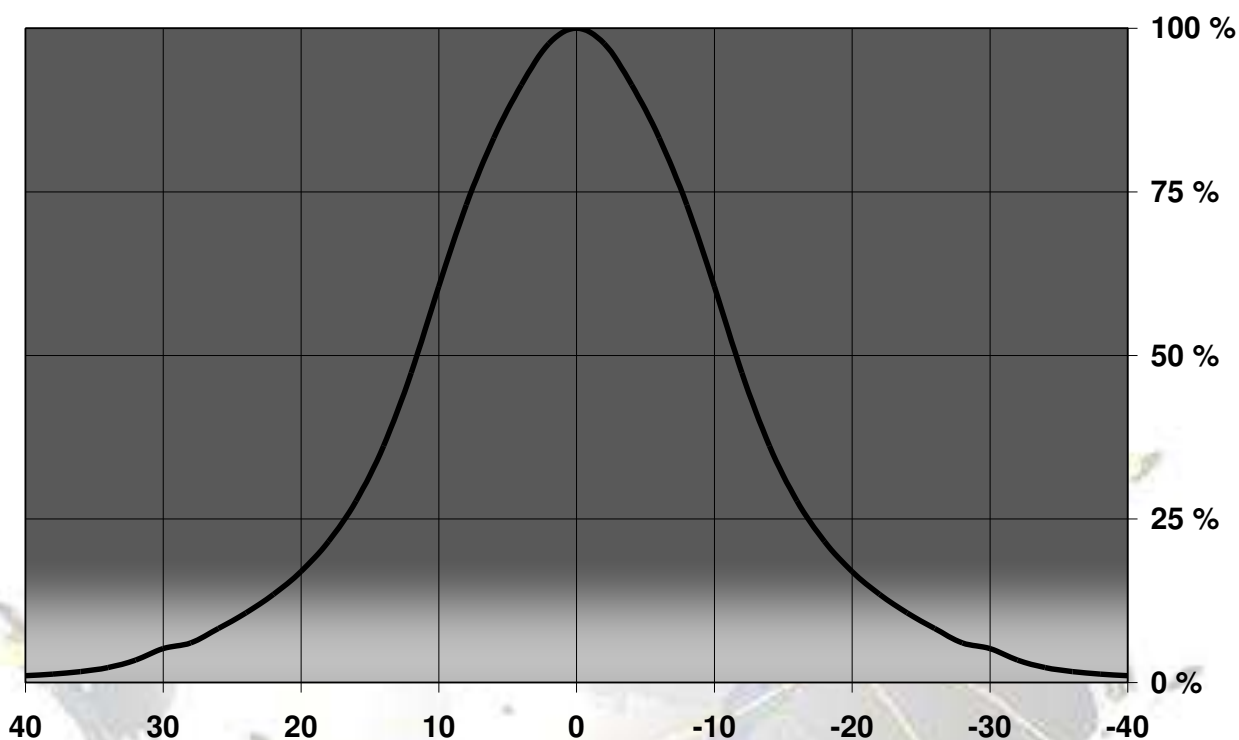
MEASUREMENT DATA

Relative Intensity of FA11047_Lisa2-RS-Pin-OSL



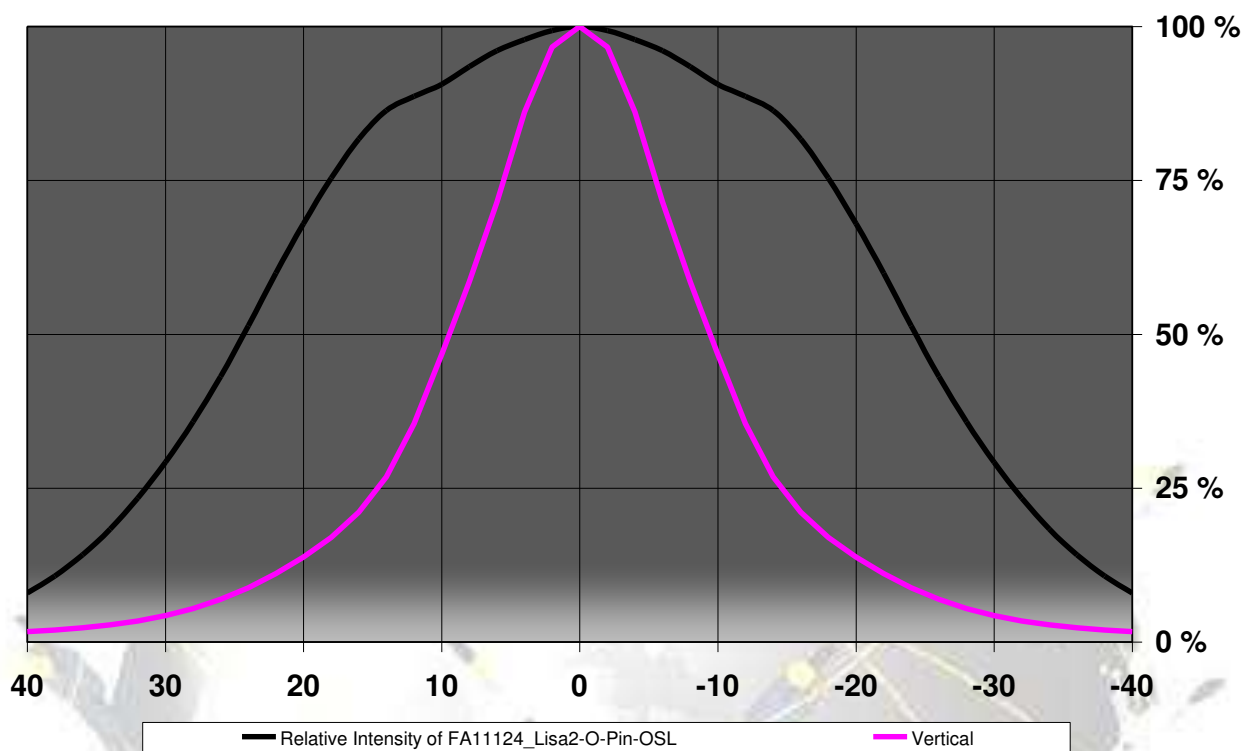
© Ledil Oy - PRELIMINARY - Subject to change without prior notice

Relative Intensity of FA11001_Lisa2-M-Pin-OSL



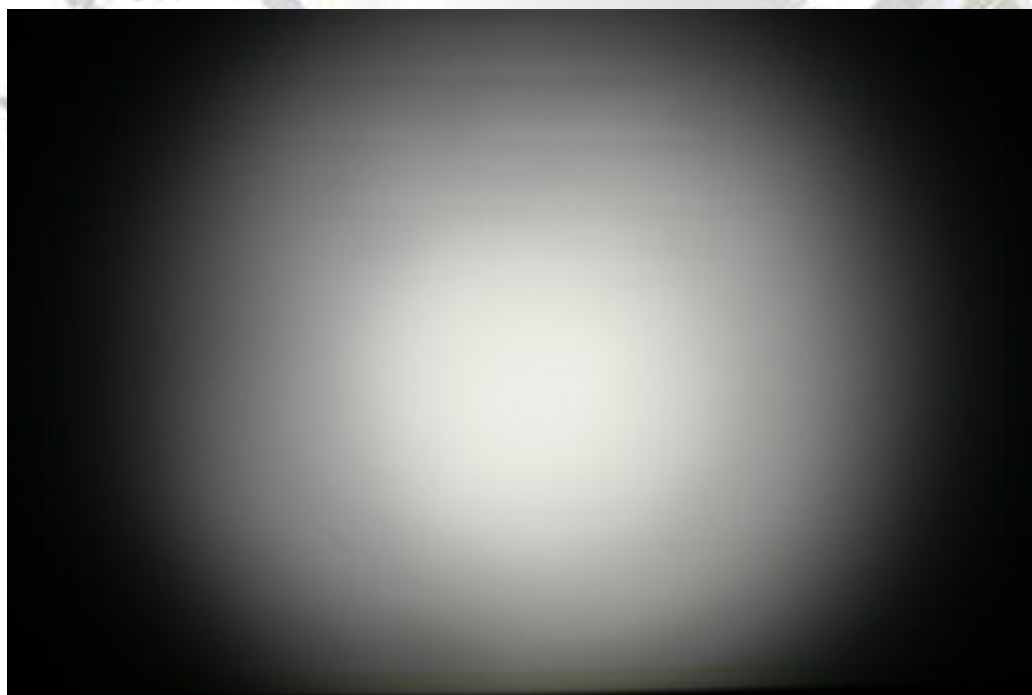
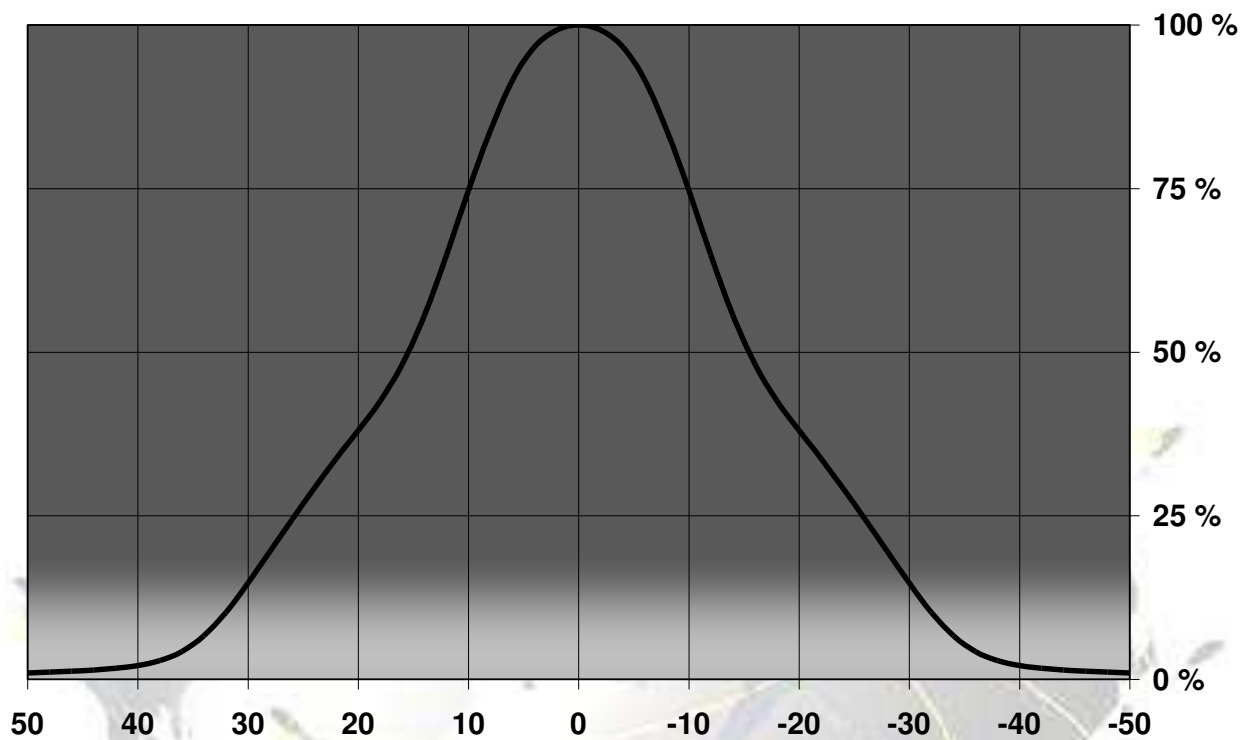
© Ledil Oy - PRELIMINARY - Subject to change without prior notice

Relative Intensity of FA11124_Lisa2-O-Pin-OSL



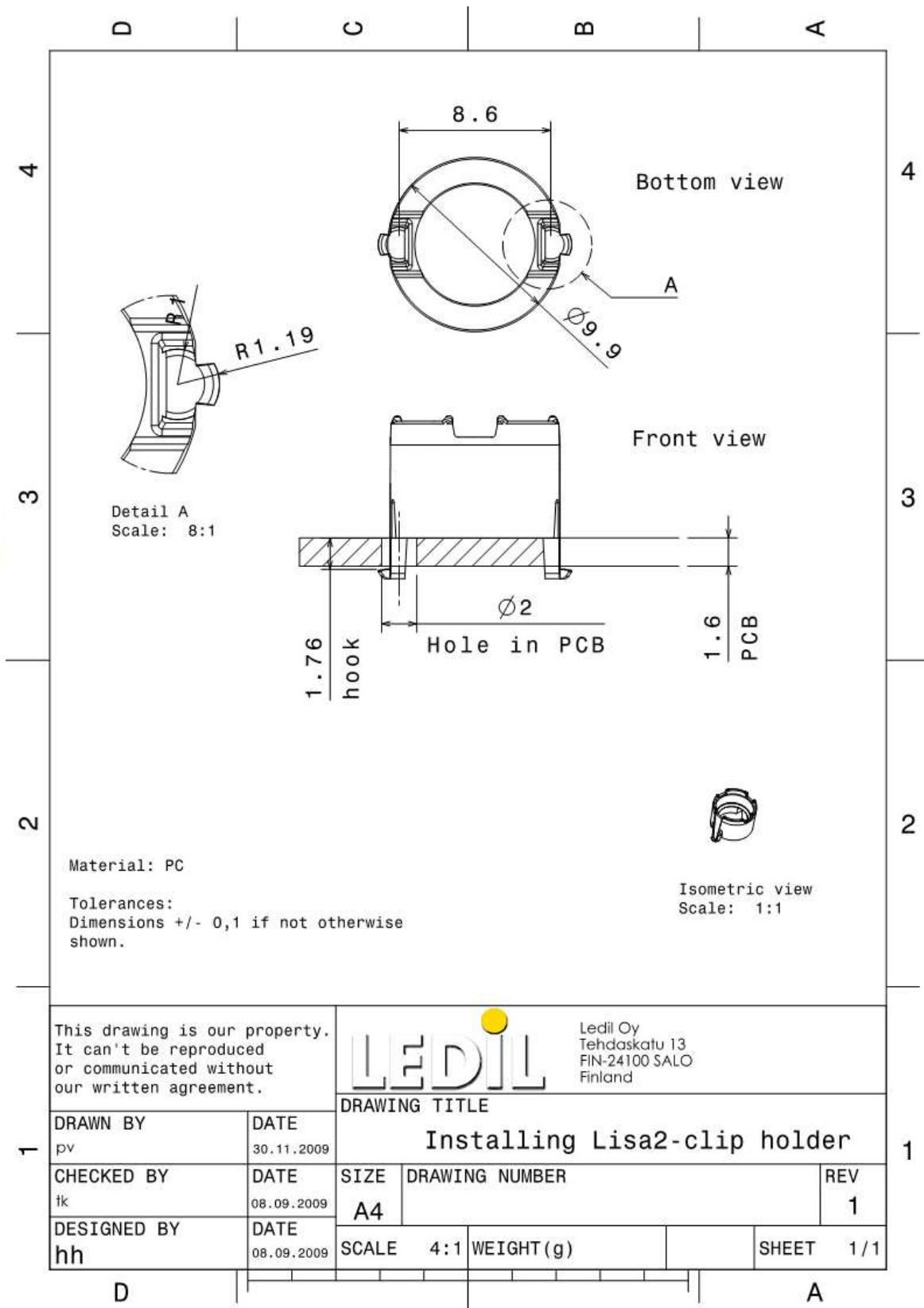
© Ledil Oy - PRELIMINARY - Subject to change without prior notice

Relative Intensity of FA11002_Lisa2-W-Pin-OSL



© Ledil Oy - PRELIMINARY - Subject to change without prior notice

DRAWINGS



This drawing is our property. It can't be reproduced or communicated without our written agreement.



Ledil Oy
 Tehdaskatu 13
 FIN-24100 SALO
 Finland

DRAWING TITLE

Installing Lisa2-clip holder

DRAWN BY pv	DATE 30.11.2009
CHECKED BY tk	DATE 08.09.2009
DESIGNED BY hh	DATE 08.09.2009

SIZE A4	DRAWING NUMBER	REV 1
SCALE 4:1	WEIGHT (g)	SHEET 1/1