

33NIS83-4 quad lenses for Nichia 3W183 LEDs



33NIS83-4-S



33NIS83-4-M



33NIS83-4-W



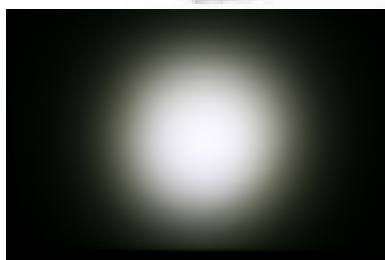
- Designed for Nichia 183 / 083 LEDs.
- Lens material optical grade PMMA with high UV and temperature resistance (105°C/220°F)
- High optical efficiency, >85%
- No lens holder. Fastening to heat sink with droplets of glue. NOTE: legs go into the PCB by 1.2 mm only, do not go thru a normal MCPCB
- Diameter 50 mm (MR16)
- All 3 lens types have the same outer dimensions
- Mechanical CAD models available upon request

LENS TYPES

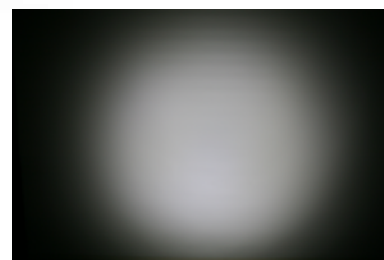
NAME	ORDERING CODE	FWHM Angle
33NIS83-4 spot	C10385_33NIS83-4-SS	±8°
33NIS83-4 medium	C10386_33NIS83-4-M	±11°
33NIS83-4 wide	C10387_33NIS83-4-W	±24°



33NIS83-4-S



33NIS83-4-M

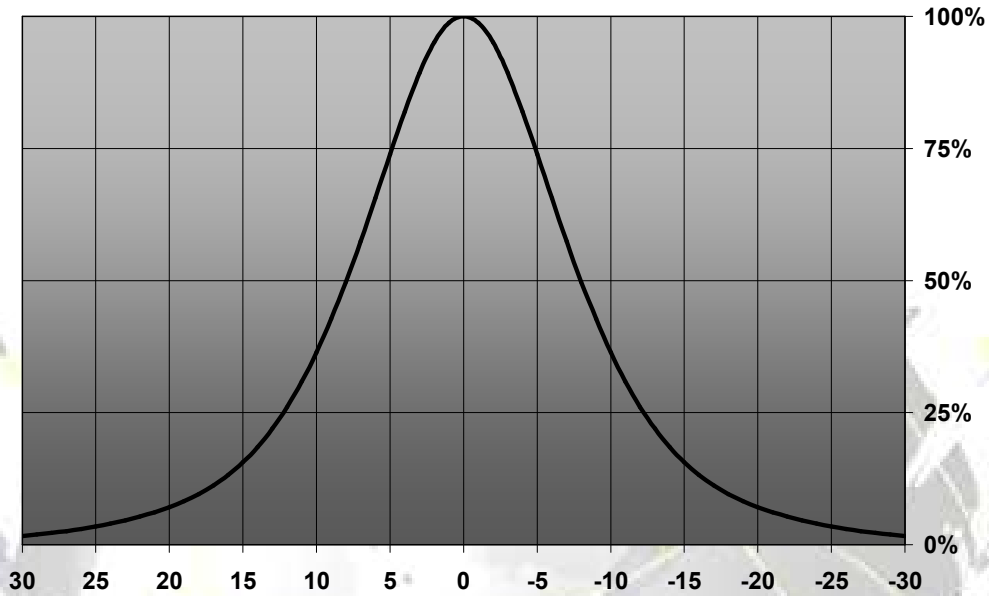


33NIS83-4-W

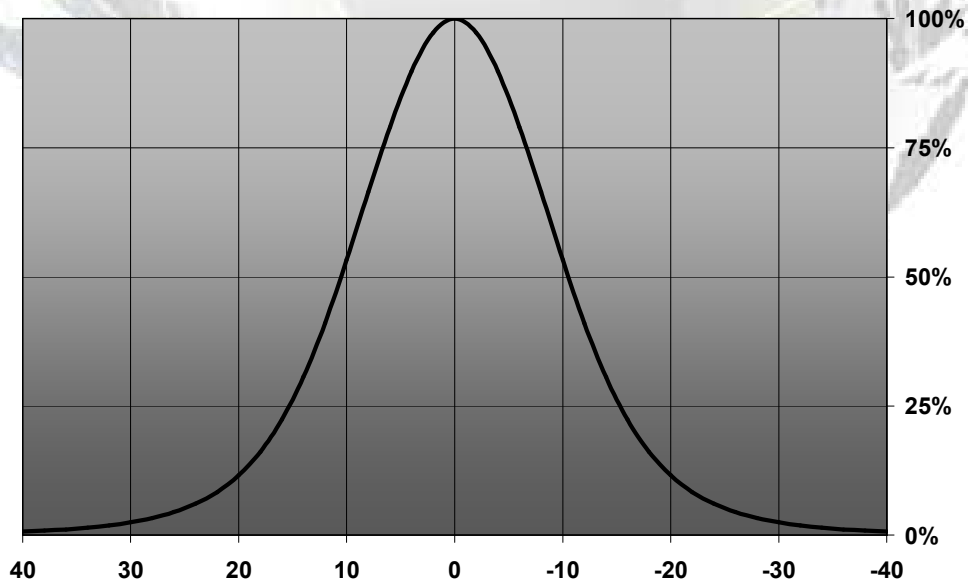
© Ledil Oy – PRELIMINARY - Subject to change without prior notice

MEASUREMENT DATA

Relative Intensity of C10385_3NIS83-4-SS

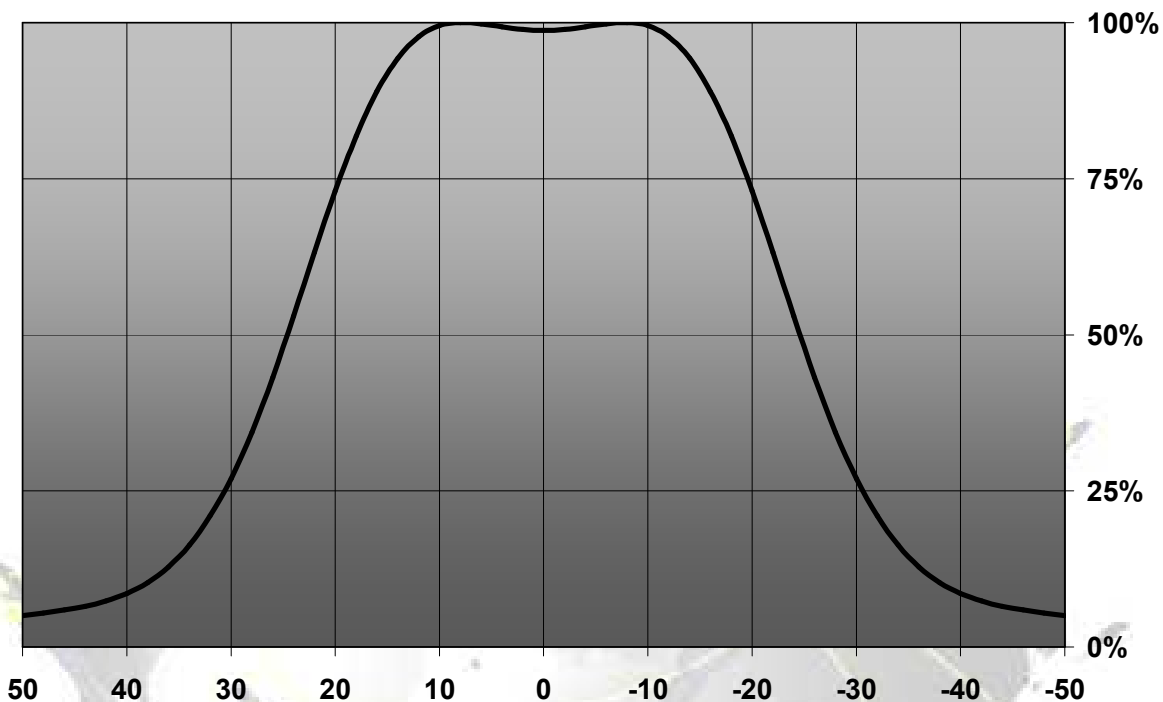


Relative Intensity of C10386_3NIS83-4-M



© Ledil Oy – PRELIMINARY - Subject to change without prior notice

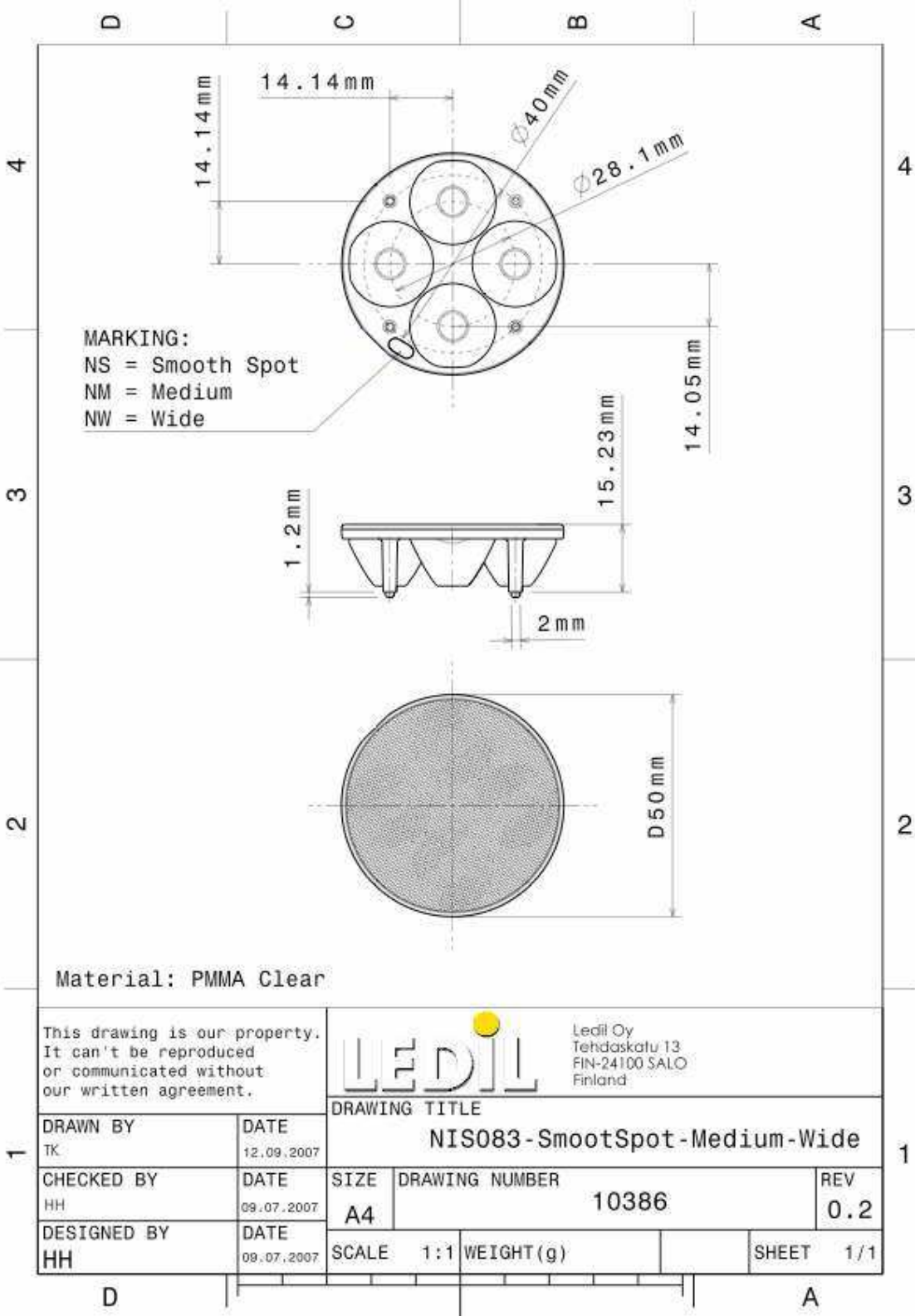
Relative Intensity of C10387_3NIS83-4-W



PACKAGING

Lenses are packed in carton boxes of 264 pieces in each box.

DRAWINGS



© Ledil Oy - PRELIMINARY - Subject to change without prior notice