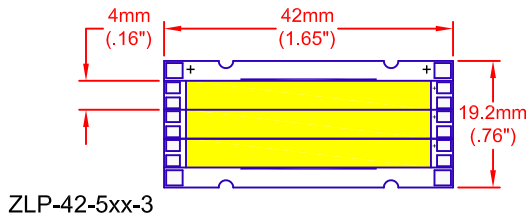
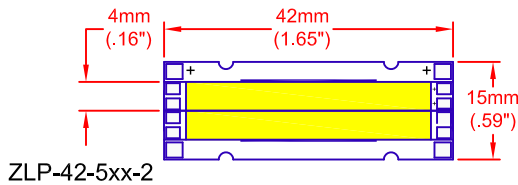
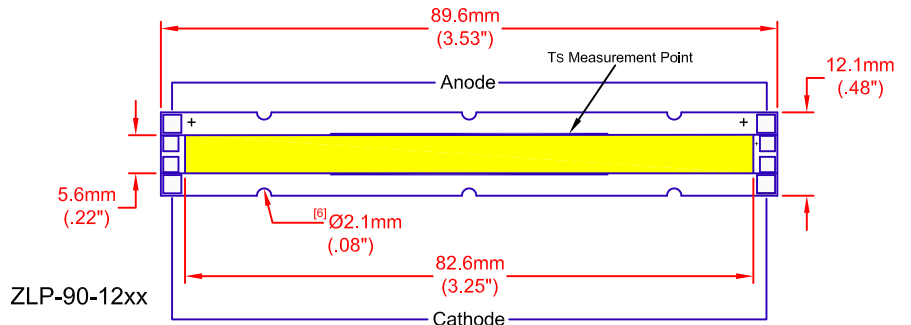
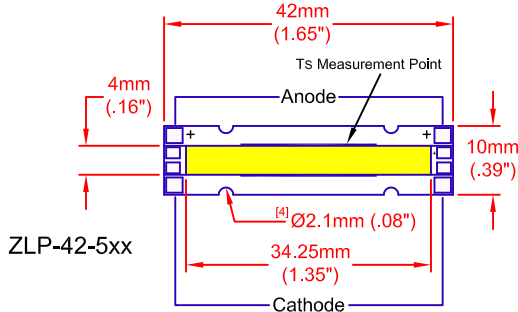
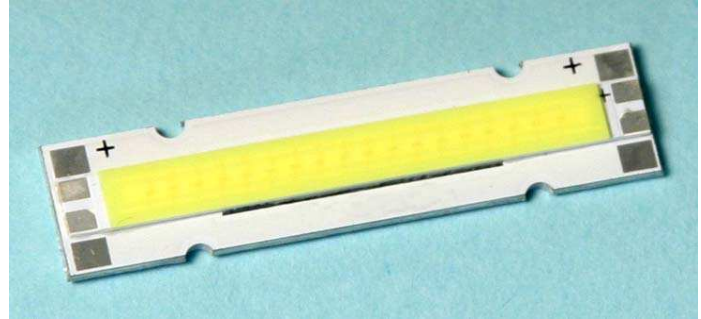


LOW PROFILE LED ON SUBSTRATE

FEATURES

- Dual connection design allows for mounting several together for continuous linear light source or in parallel order as a planar light source.
- Low Profile Linear LED (2.1mm Height).
- Solid line of linear illumination.
- Mounted on heat sink for optimal heat dissipation.
- Easy screw installation.



- Notes: 1. General tolerance is 0.2mm.
 2. Aluminum (Al) substrate thickness is 1mm.
 3. The temperature of substrate (Ts) should not be higher than 50°C.

Absolute Maximum Ratings

Parameter	Symbol	Rating	Units
Transient Surge Voltage	V _{TS}	12	V
LED Junction Temperature	T _J	80	°C
Operating Temperature	T _{opr}	-40 ~ +50	°C
Storage Temperature	T _{stg}	-40 ~ +120	°C

VALUES APPLY TO ALL SIZES

JKL Part Number	*Color Options	Watts	Current mA	V _F			Flux Typ.
				Min.	Typ.	Max.	
ZLP-42-5CW	6,000-10,000 %k COOL WHITE	1.0	350mA	3.1	3.4	5	100 lm
ZLP-42-5NW	3,800-5,000 %k NEUTRAL WHITE	1.0	350mA	3.1	3.4	5	80 lm
ZLP-42-5WW	2,670-3,800 %k WARM WHITE	1.0	350mA	3.1	3.4	5	70 lm
ZLP-42-5CW-2	6,000-10,000 %k COOL WHITE	2.0	700mA	3.1	3.4	5	200 lm
ZLP-42-5NW-2	3,800-5,000 %k NEUTRAL WHITE	2.0	700mA	3.1	3.4	5	160 lm
ZLP-42-5WW-2	2,670-3,800 %k WARM WHITE	2.0	700mA	3.1	3.4	5	140 lm
ZLP-42-5CW-3	6,000-10,000 %k COOL WHITE	3.0	1050mA	3.1	3.4	5	300 lm
ZLP-42-5NW-3	3,800-5,000 %k NEUTRAL WHITE	3.0	1050mA	3.1	3.4	5	240 lm
ZLP-42-5WW-3	2,670-3,800 %k WARM WHITE	3.0	1050mA	3.1	3.4	5	210 lm
ZLP-90-12CW	6,000-10,000 %k COOL WHITE	3.5	350mA	9	10.2	12	330 lm
ZLP-90-12NW	3,800-5,000 %k NEUTRAL WHITE	3.5	350mA	9	10.2	12	265 lm
ZLP-90-12WW	2,670-3,800 %k WARM WHITE	3.5	350mA	9	10.2	12	230 lm

* Please contact JKL to discuss your specific color requirements.

ATTENTION



OBSERVE PRECAUTION FOR HANDLING ELECTROSTATIC DISCHARGE SENSITIVE DEVICES

METRIC		DIMENSIONS ARE IN mm & (INCHES)		 JKL COMPONENTS CORPORATION				
THIRD ANGLE PROJECTION		TOLERANCE UNLESS OTHERWISE SPECIFIED 1 PL +/- REF. 2 PL +/- ANGLE +/-						TITLE LOW PROFILE LED ON SUBSTRATE
B	ADD NOTE FOR COLOR OPTIONS	8/30/11	DRAWN BY L. WENGSTROM	APPV'D BY L.R.	DATE 8/30/11	SIZE A	FSCM NO. 55335	DRAWING NO. ZLP-MULTI
A	ADD DOUBLE & TRIPLE PARTS	6/14/11	- CAD DRAWING - MANUAL REVISIONS NOT PERMITTED					
	RELEASED	4/19/11						
REV. NO.	DESCRIPTION/ECO NUMBER	APPV'D DATE	SCALE NONE	RELEASED DATE 4/19/11	REVISION DATE 8/30/11	REV. NO. B	SHEET 1 OF 1	