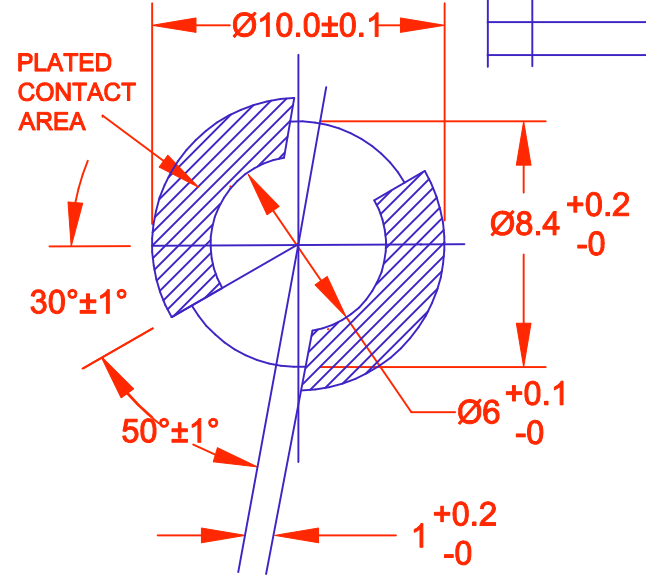
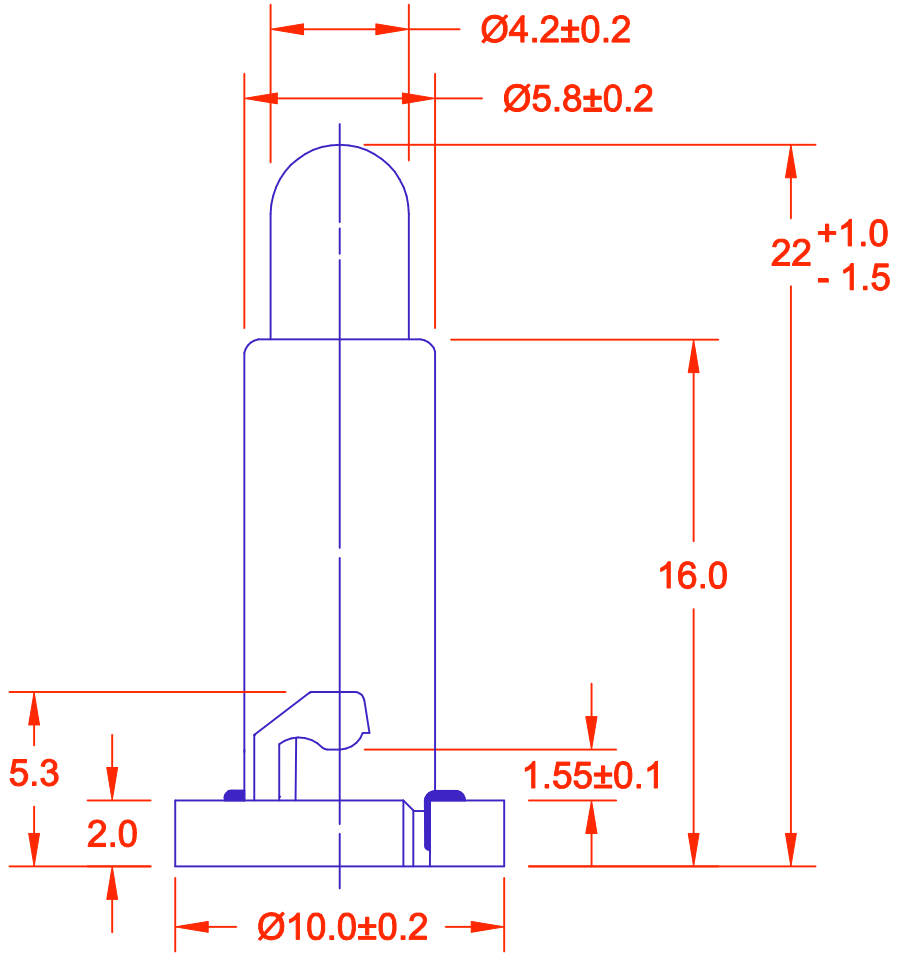
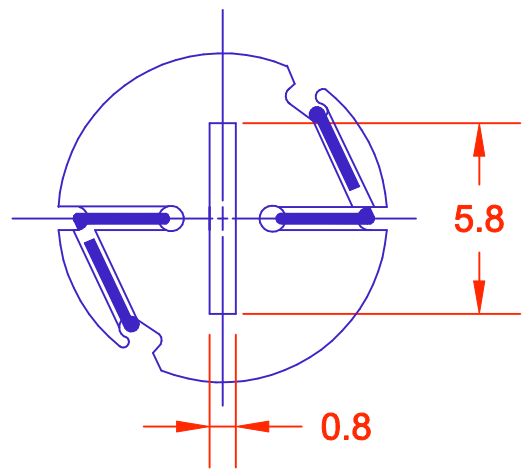


REV.	DESCRIPTION/ECO NO.	DATE
	RELEASED	9/18/01
	DIM CHANGES PER	10/1/01
A	STANLEY REQ.	



**PC BOARD PUNCH PATTERN**  
BOARD THICKNESS  $1.6 \pm 0.1$



JKL PART NUMBER: DNW1-DW48/GRA/22MM  
 JKL LAMP NUMBER: DW48  
 VOLTS RATED: 14.0  
 AMPS +/- 10%: .040  
 \*MSCP +/- 25%: .150  
 \*LUMENS +/- 25%: 1.89  
 AVG. LIFE HOURS: 5,000 (DC)\*\*  
 FILAMENT TYPE: C-2V  
 \*LAMP RATED ONLY WITHOUT BASE  
 \*\*DERIVED FROM ACCELERATED TESTING  
 BASE COLOR: GRAY

 THIRD ANGLE PROJECTION	<b>METRIC</b> DIMENSIONS ARE IN MILLIMETERS	<b>JKL COMPONENTS CORPORATION</b>				
	TOLERANCE UNLESS OTHERWISE SPECIFIED 1 PL +/- 0.2 2 PL +/- 0.20 ANGLE +/- 0					TITLE <b>22MM GRAY NEO-WEDGE BASE          WITH T-1 1/4 DW48 LAMP</b>
DRAWN BY L. WENGSTROM	APPVD BY J. KAHL	DATE 10/1/01	SIZE <b>A</b>	FSCM NO. <b>55335</b>	DRAWING NO. <b>DNW1-DW48/GRA/22MM</b>	REV. <b>A</b>
- CAD DRAWING - MANUAL REVISIONS NOT PERMITTED			SCALE <b>NONE</b>	RELEASED DATE <b>9/18/01</b>	REVISION DATE <b>10/1/01</b>	SHEET <b>1</b> OF <b>1</b>