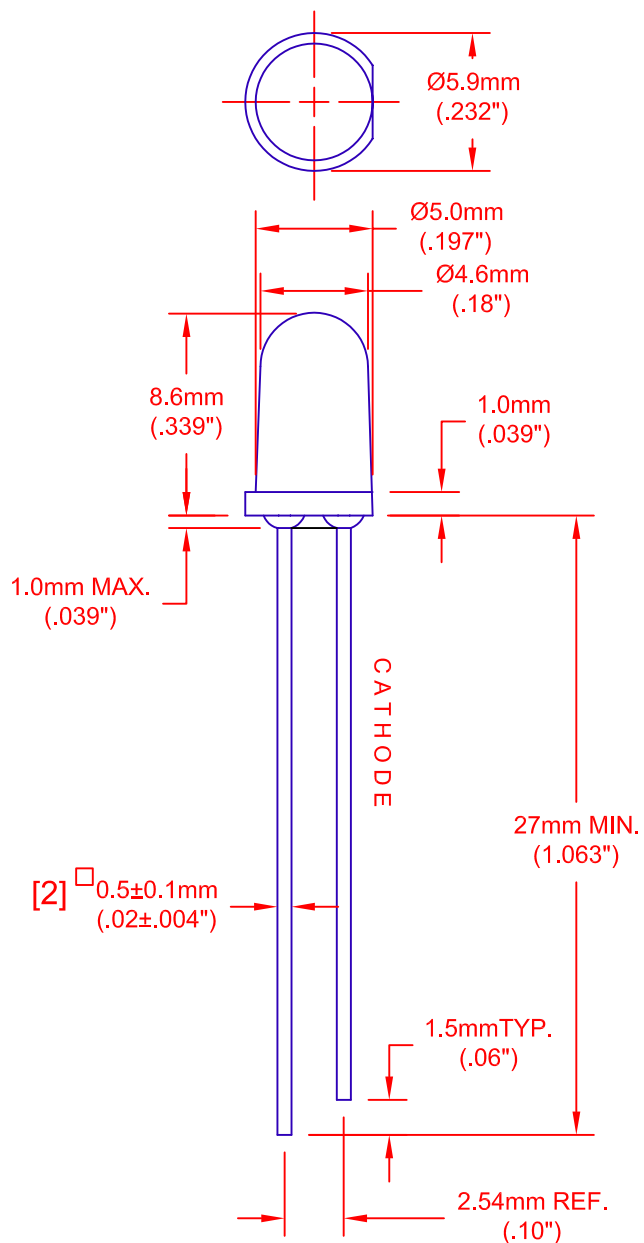


REV.	DESCRIPTION/ECO NO.	DATE
	RELEASE AND CANCEL	10/16/01
	PL-9912-03	
A	ENGR RELEASE TO CAD	2/17/10



ABSOLUTE MAXIMUM RATING

(TA = 25°C)

DESCRIPTION	SYMBOL	CONDITION	RATING	UNIT
Reverse Voltage	V_R	---	5	V
Forward Current (max.)	I_F	---	30	mA
Forward Current (Peak)	I_{FS}	1/10 Duty Cycle, 0.1ms Pulse Width	150	mA
Power Dissipation	P_T	---	105	mW
Operating Temperature	T_A	---	-40~+85	°C
Storage Temperature	T_{STG}	---	-40~+85	°C

ELECTRICAL & OPTICAL OPERATING CHARACTERISTICS

(TA = 25°C)

DESCRIPTION	SYMBOL	CONDITION	RATING	UNIT
Forward Voltage	V_F	$I_F = 20\text{mA}$	2	V
Forward Voltage (max.)	V_F	$I_F = 20\text{mA}$	2.5	V
Reverse Current	I_R	$V_R = 5\text{V}$	10	uA
Wavelength at Peak Emission	λ_P	$I_F = 20\text{mA}$	625	nm
Spectral Line Half-Width	$\Delta\lambda$	$I_F = 20\text{mA}$	45	nm
Capacitance	C	$V_F = 0\text{V}, f = 1\text{MHz}$	12	pF

JKL PART NUMBER	SOURCE (DICE)	LENS TYPE (RESIN)	LUMINOUS INTENSITY MCD @ 10mA		VIEWING ANGLE
			MIN.	TYP.	
Z-223RH/80	RED (GaAsP/GaP)	WATER CLEAR	50	80	20°

METRIC		DIMENSIONS ARE IN MILLIMETERS (INCHES)		JKL COMPONENTS CORPORATION			
 THIRD ANGLE PROJECTION		TOLERANCE UNLESS OTHERWISE SPECIFIED $\pm 0.25\text{mm}$ $\pm .010"$		TITLE T-1 3/4 STANDARD STRAIGHT FRAME ROUND LED LAMP/RED			
DRAWN BY L. WENGSTROM	APP'VD BY L.R.	DATE 2/17/10	SIZE A	FSCM NO. 55335	DRAWING NO. Z-223RH/80	REV. A	
- CAD DRAWING - MANUAL REVISIONS NOT PERMITTED			SCALE NONE	RELEASED DATE 10/16/01	RELEASED DATE 2/17/10	SHEET 1 OF 1	