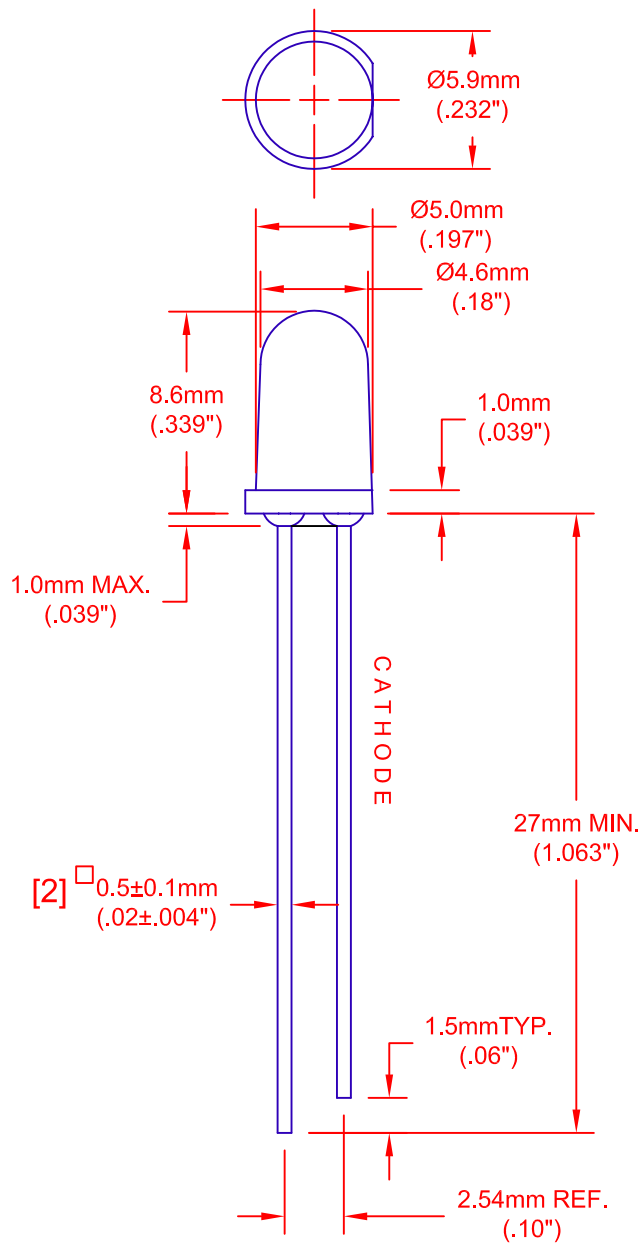


REV.	DESCRIPTION/ECO NO.	DATE
	RELEASE AND CANCEL	10/16/01
	PL-9912-03	
A	ENGR RELEASE TO CAD	2/17/10



ABSOLUTE MAXIMUM RATING
(TA = 25°C)

DESCRIPTION	SYMBOL	CONDITION	RATING	UNIT
Reverse Voltage	V _R	---	5	V
Forward Current (max.)	I _F	---	25	mA
Forward Current (Peak)	I _{FS}	1/10 Duty Cycle, 0.1ms Pulse Width	150	mA
Power Dissipation	P _T	---	105	mW
Operating Temperature	T _A	---	-40~+85	°C
Storage Temperature	T _{STG}	---	-40~+85	°C

ELECTRICAL & OPTICAL OPERATING CHARACTERISTICS
(TA = 25°C)

DESCRIPTION	SYMBOL	CONDITION	RATING	UNIT
Forward Voltage	V _F	I _F = 20mA	2.2	V
Forward Voltage (max.)	V _F	I _F = 20mA	2.5	V
Reverse Current	I _R	V _R = 5V	10	uA
Wavelength at Peak Emission	λ _P	I _F = 20mA	565	nm
Spectral Line Half-Width	Δλ	I _F = 20mA	30	nm
Capacitance	C	V _F = 0V, f = 1MHz	45	pF

JKL PART NUMBER	SOURCE (DICE)	LENS TYPE (RESIN)	LUMINOUS INTENSITY MCD @ 10mA		VIEWING ANGLE
			MIN.	TYP.	
Z-223G/50	GREEN (GaP)	WATER CLEAR	20	50	20°

METRIC		DIMENSIONS ARE IN MILLIMETERS (INCHES)		JKL COMPONENTS CORPORATION			
 THIRD ANGLE PROJECTION		TOLERANCE UNLESS OTHERWISE SPECIFIED ± 0.25mm ±.010"		TITLE T-1 3/4 STANDARD STRAIGHT FRAME ROUND LED LAMP/GREEN			
DRAWN BY L. WENGSTROM	APP'VD BY L.R.	DATE 12/17/10	SIZE A	FSCM NO. 55335	DRAWING NO. Z-223G/50	REV. A	
- CAD DRAWING - MANUAL REVISIONS NOT PERMITTED			SCALE NONE	RELEASED DATE 10/16/01	RELEASED DATE 2/17/10	SHEET 1 OF 1	