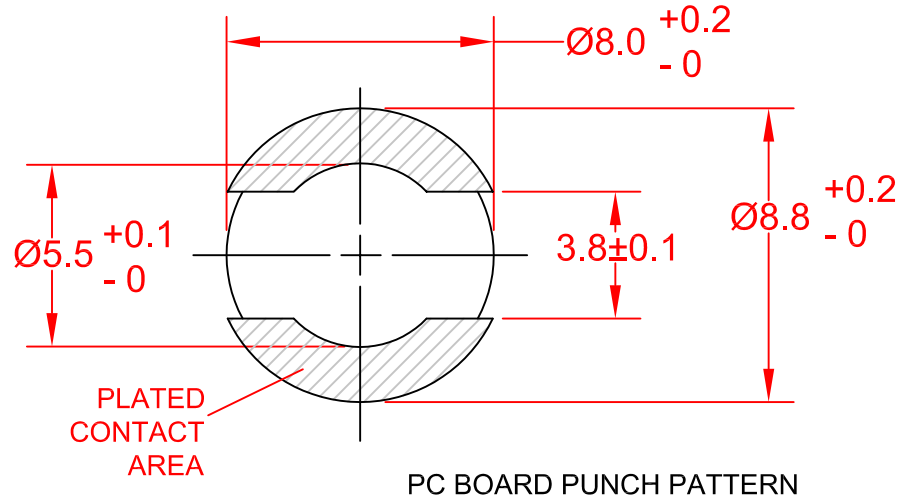
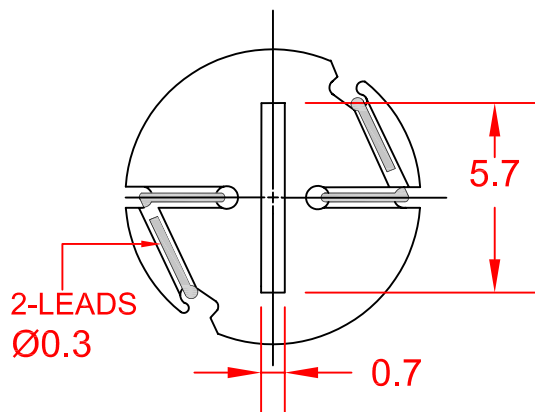
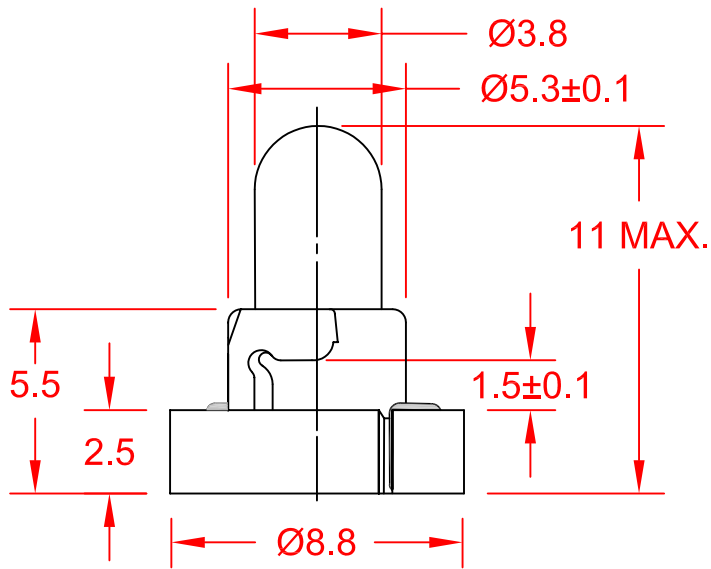
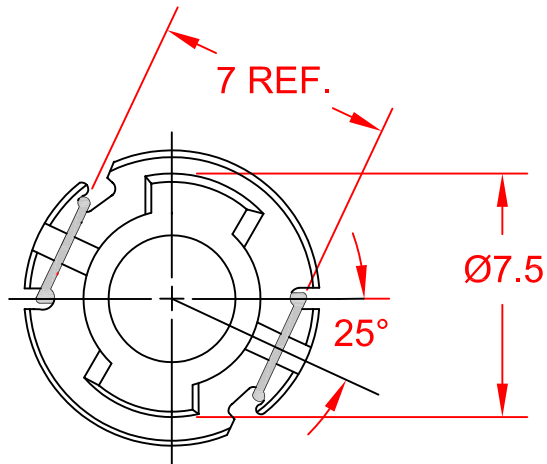


REV.	DESCRIPTION/ECO NO.	DATE
	RELEASED	5/30/00
A	ADD DIM & TOLERANCE ON PC PATTERN	2/19/01
B	DELETE NO'S JW60, JW40	7/22/07
C	ADD RoHS COMP. NOTE	6/20/06



**JKL LAMP NUMBERS	VOLTS RATED	AMPS ±10%	*MSCP ±25%	*LUMENS ±25%	AVERAGE LIFE HRS.	FILAMENT TYPE
JNW1-JW07	14.0	.080	.300	3.77	15,000	C-2F
JNW1-JW10	14.0	.100	.500	6.29	10,000	C-2F

*LAMP RATED ONLY (NOT IN BASE).
 **RoHS COMPLIANCE
 (CONTACT JKL FOR RoHS LOT IDENTIFICATION).

METRIC		DIMENSIONS ARE IN MILLIMETERS		JKL COMPONENTS CORPORATION			
 THIRD ANGLE PROJECTION		TOLERANCE UNLESS OTHERWISE SPECIFIED 1 PL +/- 0.2 2 PL +/- 0.20 ANGLE +/- 0		TITLE NEO-WEDGE BASE WITH MULTIPLE LAMP LISTING			
DRAWN BY L. WENGSTROM	APPV'D BY LEN	DATE 6/20/06	SIZE A	FSCM NO. 55335	DRAWING NO. JNW1-MULTI		
- CAD DRAWING - MANUAL REVISIONS NOT PERMITTED			SCALE NONE	RELEASED DATE 5/30/00	REVISION DATE 6/20/06	REV. NO. C	SHEET 1 OF 1