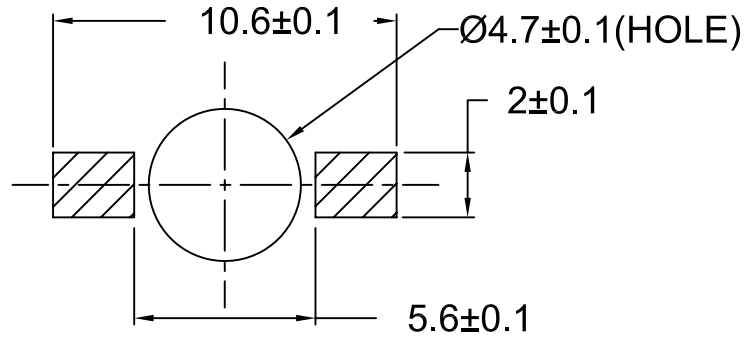
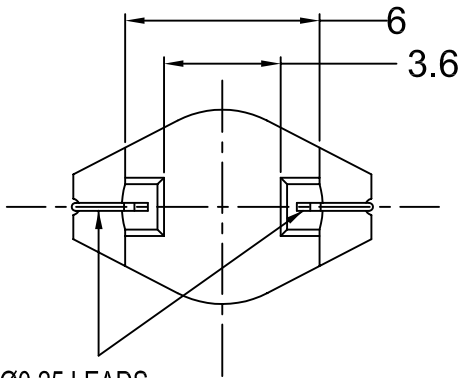
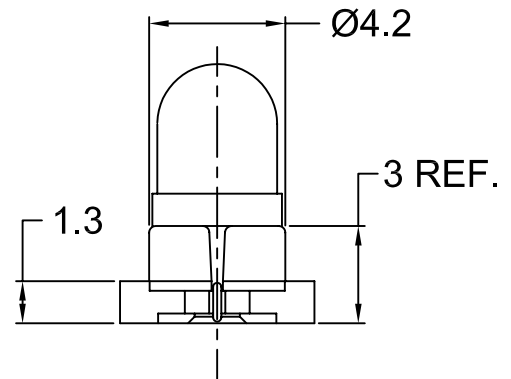
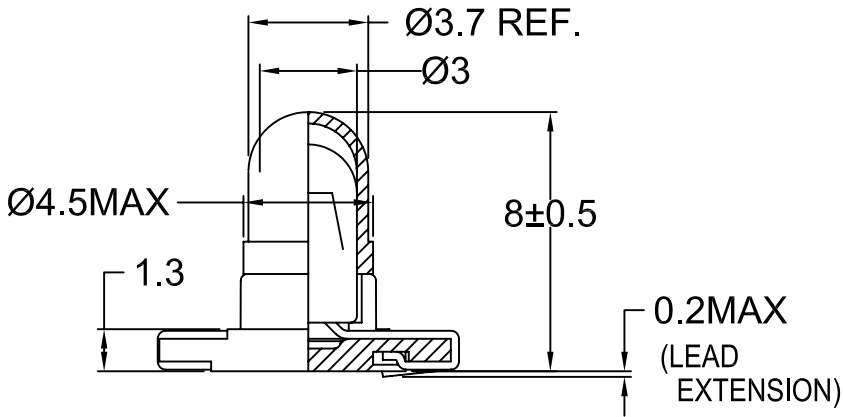


(INCLUDING WIRE)



P.C.B. t=1.6
DIMENSIONS FOR COPPER AREA
(REFERENCE)



Ø0.25 LEADS
(SOLDER PLATED)

JKL LAMP NUMBER	VOLTS RATED	AMPS ±10%	*MSCP ±25%	*LUMENS ±25%	AVERAGE LIFE HRS.	FILAMENT TYPE
CW1345***	13.0	.045	.150	1.89	**5,000 D.C.	C-2F

*LAMP ONLY RATING.
**DERIVED FROM ACCELERATED TESTING.
***LAMP GLASS LEAD (Pb) FREE.

CONTACT JKL FOR LEAD (Pb) FREE LOT IDENTIFICATION.

JKL PART NUMBER	COLOR COORDINATES				COLOR (REF.)
	x ± .02	y ± .02	u' ± .02	v' ± .02	
CTB1-CW1345/39-56-5D	0.2535	0.4625	0.1261	0.5175	BLUE/GREEN

METRIC
DIMENSIONS ARE IN MILLIMETERS
TOLERANCE UNLESS OTHERWISE SPECIFIED
1 PL +/- 0.2
2 PL +/- 0.20
ANGLE +/-

THIRD ANGLE PROJECTION

JKL COMPONENTS CORPORATION

TITLE
T-1 THRU-BOARD LAMP WITH FILTER

REV. NO.	DESCRIPTION/ECO NUMBER	APPVD DATE
A	CHANGE TO (Pb) FREE GLASS RELEASED	2/17/05 4/9/04

- CAD DRAWING -
MANUAL REVISIONS NOT PERMITTED

DRAWN BY L. WENGSTROM	APPVD BY J.K.	DATE 2/17/05	SIZE A	FSCM NO. 55335	DRAWING NO. CTB1-CW1345/39-56-5D	SCALE NONE	RELEASED DATE 4/9/04	REVISION DATE 2/17/05	REV. NO. A	SHEET 1 OF 1
--------------------------	------------------	-----------------	-----------	-------------------	-------------------------------------	---------------	-------------------------	--------------------------	---------------	-----------------