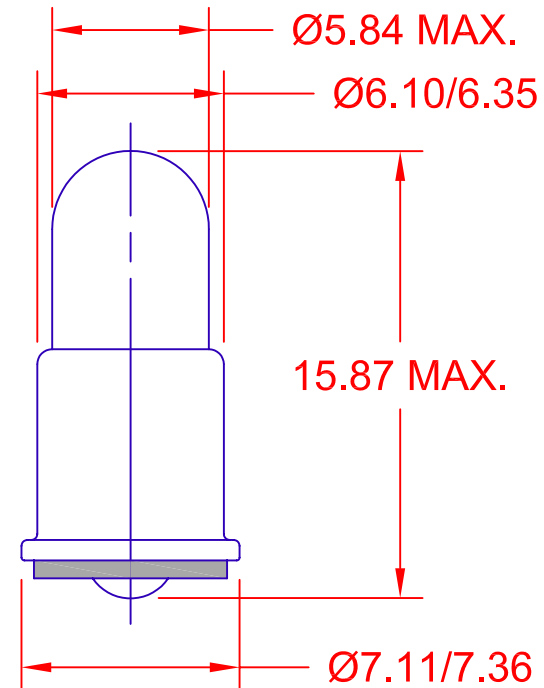
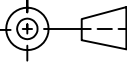


REV.	DESCRIPTION/ECO NO.	DATE
	RELEASED	5/17/00
A	DELETE #S 331, 375, FF48	8/3/05
B	385 UPDATE RATINGS	6/11/09

JKL LAMP NUMBER	VOLTS RATED	AMPS ±10%	MSCP ±25%	LUMENS ±25%	AVERAGE LIFE HRS.	FILAMENT TYPE
368	2.5	.200	.200	2.51	500	C-2R
268	2.5	.350	.200	2.51	20,000	C-2R
252	2.5	.350	LENS END		20,000	C-2R
338	2.7	.060	.040	0.50	6,000	C-2R
FF23	5.0	.020	.020	0.25	50,000	C-2R
FF90	5.0	.021	.034	0.43	10,000	C-2R
7332	5.0	.060	.030	0.38	100,000	C-2R
7333	5.0	.060	.050	0.63	100,000	C-2R
3150	5.0	.060	.150	1.89	5,000	C-2R
7335	5.0	.115	.150	1.89	40,000	C-2R
345	6.0	.040	.030	0.38	10,000	C-2V
328	6.0	.200	.630	7.92	1,000	C-2R
380	6.3	.040	.030	0.38	20,000	C-2F
377	6.3	.075	.230	2.89	1,000	C-2R
350	6.3	.150	.450	5.66	3,000	C-2R
381	6.3	.200	.400	5.03	50,000	C-2F
349	6.3	.200	.550	6.91	5,000	C-2R
344	10.0	.014	.002	0.03	50,000	C-2F
367	10.0	.040	.080	1.01	30,000	C-2F
394	12.0	.040	.120	1.51	10,000	C-2F
382	14.0	.080	.300	3.77	50,000	C-2F
330	14.0	.080	.500	6.29	2,500	C-2F
8918	14.0	.100	.500	6.29	50,000	C-2F
370	18.0	.040	.150	1.89	10,000	C-2F
459	22.0	.040	.300	3.77	2,000	C-2F
8176	24.0	.050	.500	6.29	2,000	C-2F
FF28	28.0	.024	.150	1.89	16,000	C-2F
385	28.0	.040	.150	1.89	20,000	C-2F
387	28.0	.040	.300	3.77	25,000	C-2F
327	28.0	.040	.340	4.27	4,000	C-2F
376	28.0	.060	.340	4.27	25,000	C-2F
7341	28.0	.065	.650	8.17	5,000	C-2F
269	32.0	.040	.340	4.27	20,000	C-2F



METRIC  THIRD ANGLE PROJECTION	DIMENSIONS ARE IN MILLIMETERS	JKL COMPONENTS CORPORATION TITLE T-1 3/4 STANDARD MIDGET FLANGE			
	TOLERANCE UNLESS OTHERWISE SPECIFIED 1 PL +/- 0.2 2 PL +/- 0.20 ANGLE +/- 0				
DRAWN BY L. WENGSTROM	APPVD BY L.W.	DATE 6/11/09	SIZE A	FSCM NO. 55335	DRAWING NO. FLANGE T-1 3/4
- CAD DRAWING - MANUAL REVISIONS NOT PERMITTED			SCALE NONE	RELEASED DATE 5/17/00	REVISION DATE 6/11/09
				REV. NO. B	SHEET 1 OF 1