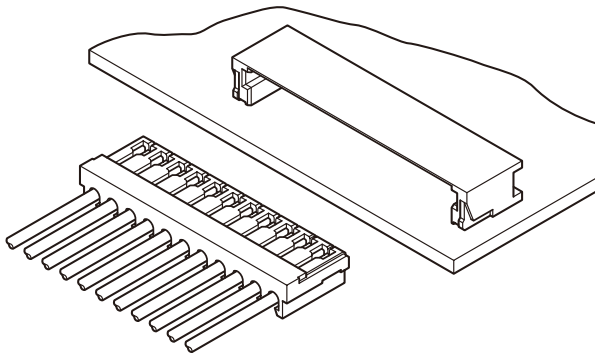


# SSR CONNECTOR

1.0mm pitch/Disconnectable Insulation displacement connectors



- **Compact**
- **Twin U-slot insulation displacement section**
- **3-point grip construction**
- **Header designed for vacuum pick and place robotics**

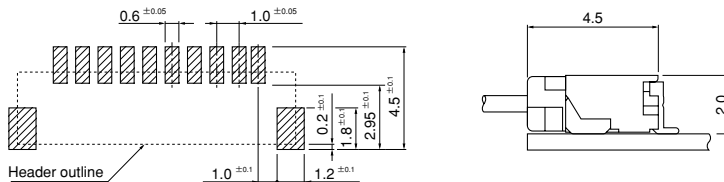
## Specifications

- Current rating: 0.5A AC, DC
  - Voltage rating: 50V AC, DC
  - Temperature range: -25°C to +85°C  
(including temperature rise in applying electrical current)
  - Contact resistance: Initial value/20m Ω max.  
After environmental testing/40m Ω max.
  - Insulation resistance: 100M Ω min.
  - Withstanding voltage: 500V AC/minute
  - Applicable wire: Conductor size/AWG #32  
Conductor/7 strands,  
tin-coated annealed copper  
Insulation O.D./0.52 to 0.56mm
- \* Compliant with RoHS.  
\* Refer to "General Instruction and Notice when using Terminals and Connectors" at the end of this catalog.  
\* Contact JST for details.

## Standards

- Recognized E60389
- Certified LR20812

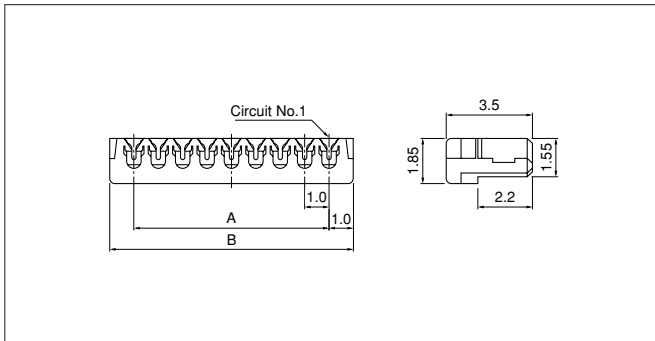
### PC board layout (viewed from component side) and Assembly layout



- Note: 1. Tolerances are non-cumulative:  $\pm 0.05\text{mm}$  for all centers.  
2. The dimensions above should serve as a guideline. Contact JST for details.

# SSR CONNECTOR

## Socket



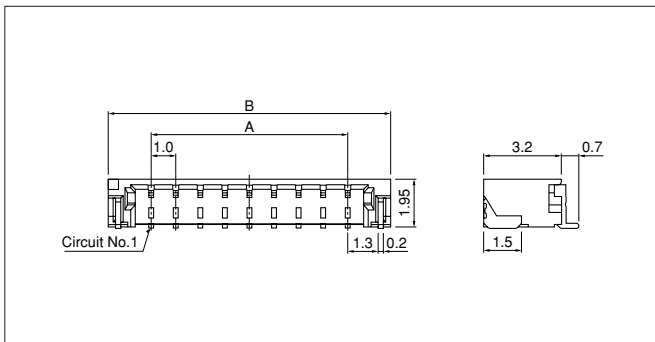
| Circuits | Model No. | Dimensions (mm) |      | Q'ty / box |
|----------|-----------|-----------------|------|------------|
|          |           | A               | B    |            |
| 2        | 02SSR-32H | 1.0             | 3.0  | 2,000      |
| 3        | 03SSR-32H | 2.0             | 4.0  | 2,000      |
| 4        | 04SSR-32H | 3.0             | 5.0  | 2,000      |
| 5        | 05SSR-32H | 4.0             | 6.0  | 2,000      |
| 6        | 06SSR-32H | 5.0             | 7.0  | 2,000      |
| 8        | 08SSR-32H | 7.0             | 9.0  | 2,000      |
| 9        | 09SSR-32H | 8.0             | 10.0 | 2,000      |
| 10       | 10SSR-32H | 9.0             | 11.0 | 2,000      |
| 11       | 11SSR-32H | 10.0            | 12.0 | 2,000      |
| 12       | 12SSR-32H | 11.0            | 13.0 | 2,000      |
| 13       | 13SSR-32H | 12.0            | 14.0 | 2,000      |
| 14       | 14SSR-32H | 13.0            | 15.0 | 2,000      |

### Material and Finish

Contact: Phosphor bronze, tin-plated (reflow treatment)  
Housing: PA 46, UL94V-0, gray

**RoHS compliance**

## Shrouded header



| Circuits | Model No.      | Dimensions (mm) |      | Q'ty / reel |
|----------|----------------|-----------------|------|-------------|
|          |                | A               | B    |             |
| 2        | SM02B-SSR-H-TB | 1.0             | 4.6  | 4,500       |
| 3        | SM03B-SSR-H-TB | 2.0             | 5.6  | 4,500       |
| 4        | SM04B-SSR-H-TB | 3.0             | 6.6  | 4,500       |
| 5        | SM05B-SSR-H-TB | 4.0             | 7.6  | 4,500       |
| 6        | SM06B-SSR-H-TB | 5.0             | 8.6  | 4,500       |
| 8        | SM08B-SSR-H-TB | 7.0             | 10.6 | 4,500       |
| 9        | SM09B-SSR-H-TB | 8.0             | 11.6 | 4,500       |
| 10       | SM10B-SSR-H-TB | 9.0             | 12.6 | 4,500       |
| 11       | SM11B-SSR-H-TB | 10.0            | 13.6 | 4,500       |
| 12       | SM12B-SSR-H-TB | 11.0            | 14.6 | 4,500       |
| 13       | SM13B-SSR-H-TB | 12.0            | 15.6 | 4,500       |
| 14       | SM14B-SSR-H-TB | 13.0            | 16.6 | 4,500       |

### Material and Finish

Contact: Copper-alloy, copper-undercoated, tin-plated (reflow treatment)  
Wafer: PA, UL94V-0, gray  
Solder tab: Brass, copper-undercoated, tin-plated (reflow treatment)

**RoHS compliance** This product displays (LF)(SN) on a label.  
Note: The products listed above are supplied on embossed-tape.