

AXIS T90C Fixed Dome IR-LED

Vandal-resistant illuminators for outdoor environments.



- > High-intensity LEDs
- > Easy to install
- > Long life
- > Low power consumption
- > Outdoor ready

AXIS T90C Fixed Dome IR-LED is an infra-red, vandal-resistant illuminator tailor-made for outdoor versions of AXIS P33 Network Cameras. Providing fixed angle illumination, the illuminator enables the camera to deliver high quality images in complete darkness.

The IR illuminator is available in two models: AXIS T90C10 Fixed Dome IR-LED, which can be powered by 18–56 V DC and AXIS T90C20 Fixed Dome IR-LED, which can be powered by PoE (802.3af compliant). Each variant features a built-in photocell and, depending on the model, is supplied with a pre-mounted 5m power cable or 5m network cable.

Using the latest technology, the new IR illuminator offers long life performance, low power consumption at less than 13 W, and requires no maintenance.

The IR illuminator features eight high-power LED's, which provide a wide angle light beam, giving the fixed dome camera a viewing range of 20–30 m (67–98 ft.) depending on environment and installation.

As well as being vandal-resistant, AXIS T90C IR-LED illuminators are also IP66 and NEMA 4X rated, allowing them to be operated in severe outdoor conditions and extreme temperatures.



Technical specifications – AXIS T90C Fixed Dome IR-LED

AXIS T90C10 IR illuminator

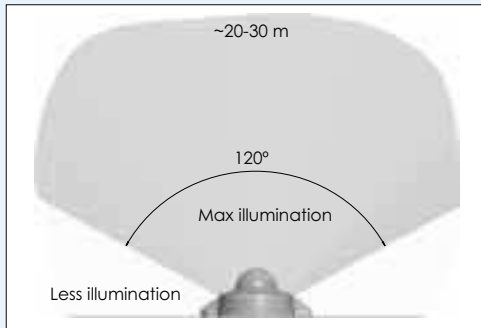
Model	AXIS T90C10 Fixed Dome IR-LED
Power	18–56 V DC input Consumption: 13 W
Type	850 nm semi-covert
Casing	IP66- and NEMA 4X-rated, vandal-resistant aluminum casing Color: white NCS S 1002-B
Maximum illumination angle	Angle of beam: 180° Primary beam (max. effect): 120° * see illustration below
Maximum illumination distance	20–30 m (67–98 ft.) depending on environment and installation
Control	Controlled by an adjustable visible light sensor
Operating conditions	-40 °C to +55 °C (-40 °F to 131 °F)
Approvals	EN 55022 Class B, EN 55024, FCC Part 15 Subpart B Class B, ICES-003 Class B, VCCI Class B, C-tick AS/NZS CISPR 22, EN 60950-1, EN 60950-22, conforming to UL 60950-1 and UL 60950-22
Accessories included	Pre-mounted 5 m power cable
Dimensions	130 x 256 x 47 mm (5.1" x 11" x 1.8")
Weight	0.7 kg (1.5 lb.)
Optional accessories	AXIS T90C10 Mains adaptor

AXIS T90C20 IR illuminator

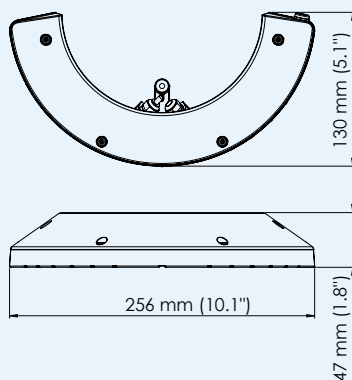
Model	AXIS T90C20 Fixed Dome IR-LED
Power	Power over Ethernet (IEEE 802.3af)
Type	850 nm semi-covert
Casing	IP66- and NEMA 4X-rated, vandal-resistant aluminum casing Color: white NCS S 1002-B
Maximum illumination angle	Angle of beam: 180° Primary beam (max. effect): 120° * see illustration below
Maximum illumination distance	20–30 m (67–98 ft.) depending on environment and installation
Control	Controlled by an adjustable visible light sensor
Operating conditions	-40 °C to +55 °C (-40 °F to 131 °F)
Approvals	EN 55022 Class B, EN 55024, FCC Part 15 Subpart B Class B, ICES-003 Class B, VCCI Class B, C-tick AS/NZS CISPR 22, EN 60950-1, EN 60950-22, conforming to UL 60950-1 and UL 60950-22
Accessories included	Pre-mounted 5 m network cable
Dimensions	130 x 256 x 47 mm (5.1" x 11" x 1.8")
Weight	0.7 kg (1.5 lb.)

More information is available at www.axis.com

AXIS T90C: Maximum illumination angle



Dimensions



AXIS T90C Fixed Dome IR-LED and outdoor version of AXIS P33 Series

