

## AXIS Q7406 Video Encoder Blade

High-density video surveillance solution with outstanding H.264 performance.



- > High-density solution
- > Superb video quality
- > Multiple H.264 streams
- > Image setting adjustment
- > Intelligent video capabilities

AXIS Q7406 Video Encoder Blade is a six-channel blade for video encoder rack solutions, enabling large numbers of analog cameras to be integrated into an IP-based, high-density video surveillance system. The high-performance video encoder blade provides superb video quality and outstanding compression capabilities.

When AXIS Q7406 blades are used with AXIS Q7900 Rack, up to 84 analog cameras can be supported in one 4U, 19-inch rack.

AXIS Q7406 offers the highly efficient H.264 video compression, which drastically reduces bandwidth and storage requirements without compromising image quality. Motion JPEG is also supported for increased flexibility.

AXIS Q7406 can deliver multiple, individually configurable video streams from each channel at full frame rate in all resolutions up to D1 (720x480 in NTSC, 720x576 in PAL). This means that for each channel, several video streams can be configured with different compression formats, resolutions and frame rates for different needs.

The video encoder also enables users to adjust image settings such as contrast, brightness and saturation to improve images before encoding takes place.

AXIS Q7406 includes intelligent capabilities such as enhanced video motion detection and active tampering alarm. The encoder's external inputs and outputs can be connected to devices such as sensors and relays, enabling the system to react to alarms and activate lights or open/close doors.

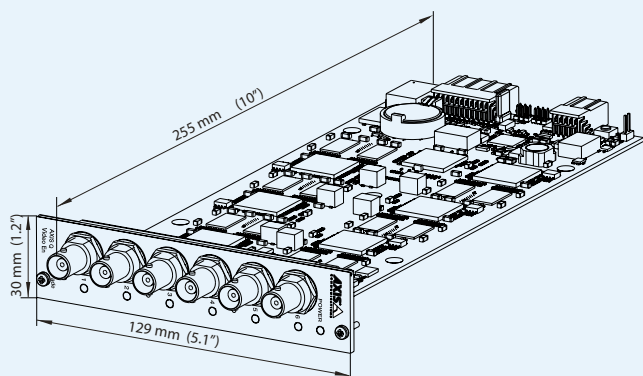


## Technical specifications – AXIS Q7406 Video Encoder Blade

Video encoder		System integration	
<b>Video compression</b>	H.264 (MPEG-4 Part 10/AVC) Motion JPEG	<b>Application Programming Interface</b>	Open API for software integration, including VAPIX® from Axis Communications available at <a href="http://www.axis.com">www.axis.com</a> AXIS Camera Application Platform from Axis Communications; specifications available at <a href="http://www.axis.com">www.axis.com</a> Includes the ONVIF specification available at <a href="http://www.onvif.org">www.onvif.org</a> Support for AXIS Video Hosting System (AVHS) with One-Click Camera connection
<b>Resolutions</b>	176x120 to 720x576	<b>Intelligent video</b>	Video motion detection, active tampering alarm Support for AXIS Camera Application Platform enabling installation of additional applications
<b>Frame rate H.264</b>	30/25 (NTSC/PAL) fps in all resolutions	<b>Alarm triggers</b>	Intelligent video, external inputs, video loss
<b>Frame rate Motion JPEG</b>	30/25 (NTSC/PAL) fps in all resolutions	<b>Alarm events</b>	File upload via FTP, HTTP and email Notification via email, HTTP and TCP PTZ preset External output activation
<b>Video streaming</b>	Multi-stream H.264 and Motion JPEG: 3 simultaneous, individually configured streams in max. resolution at 30/25 fps; more streams if identical or limited in frame rate/resolution Controllable frame rate and bandwidth VBR/CBR H.264	<b>Video buffer</b>	64 MB pre- and post-alarm
<b>Image settings</b>	Compression, color, brightness, contrast Rotation: 90°, 180°, 270° Aspect ratio correction Mirroring of images Text and image overlay Privacy mask Enhanced deinterlace filter	General	
<b>Pan/Tilt/Zoom</b>	Wide range of analog PTZ cameras supported (drivers available for download at <a href="http://www.axis.com">www.axis.com</a> ) 100 presets/camera, guard tour, PTZ control queue Supports Windows compatible joysticks	<b>Processors and memory</b>	6x ARTPEC-3, 6x 128 MB RAM, 6x 128 MB Flash
Network		<b>Power</b>	12 V DC, max. 15.4 W
<b>Security</b>	Password protection, IP address filtering, HTTPS encryption, IEEE 802.1X network access control, digest authentication, user access log	<b>Connectors</b>	6 analog composite video BNC input, NTSC/PAL auto-sensing 1000BaseT Ethernet Terminal block for up to 12 configurable external inputs/outputs and up to 6 RS-485 half duplex, depending on the rack
<b>Supported protocols</b>	IPv4/v6, HTTP, HTTPS, QoS layer 3 DiffServ, FTP, SMTP, Bonjour, UPnP, SNMPv1/v2c/v3(MIB-II), DNS, DynDNS, NTP, RTSP, RTP, TCP, UDP, IGMP, RTCP, ICMP, DHCP, ARP, SOCKS	<b>Operating conditions</b>	0-45 °C (32-113 °F) Humidity 20-80% RH (non-condensing)
		<b>Approvals</b>	EN 55022 Class B, EN 61000-3-2, EN 61000-3-3, EN 55024, EN61000-6-1, EN61000-6-2, FCC Part 15 Subpart B Class B, ICES-003 Class B, VCCI Class B, C-tick AS/NZS CISPR 22, EN 60950-1
		<b>Weight</b>	270 g (0.6 lb.)
		<b>Included accessories</b>	Installation Guide, CD with installation and management tools, software and User's Manual, 6 Windows decoder user licenses

More information is available at [www.axis.com](http://www.axis.com)

### Dimensions



### Required hardware

AXIS Q7900 Rack



AXIS 291 1U Video Server Rack



### Optional accessories

AXIS T8310 Video Surveillance Control Board



For information on AXIS Camera Station and video management software from Axis' Application Development Partners, see [www.axis.com/products/video/software/](http://www.axis.com/products/video/software/)