

VT DBH24K Dome Housing

Protect your Axis PTZ and PTZ dome network cameras.



- > Indoor and outdoor installation
- > IP65-rated protection
- > Operating temperature down to -20 °C (-4 °F)
- > Clear or smoked dome bubble
- > Several mounting options

VT DBH24K Dome Housing protects Axis PTZ and PTZ dome network cameras in outdoor environments, as well as in indoor conditions that may be humid, cold or dusty.

Designed to look like a traditional lighting system, the housing allows for discreet surveillance. It comes in two models: either with a clear or with a smoked dome bubble.

The VT DBH24K Dome Housing is made of durable plastic and provides IP65 rated protection from dust and water.

With a protective outer sunshield and fan-assisted heating, the housing enables the camera to operate in temperatures down to -20 °C (-4 °F).

The housing provides an internal protective passage for cables. A variety of mounting brackets makes it easy to install, for example on ceilings and walls.

Supported cameras are AXIS 213 PTZ, AXIS 214 PTZ, AXIS 215 PTZ Network Cameras and AXIS 231D+ and AXIS 232D+ Network Dome Cameras.



Technical specifications – VT DBH24K Dome Housing

General	
Models	VT DBH24K Dome Housing (0216-001, clear dome bubble) VT DBH24K Dome Housing (0216-011, smoked dome bubble)
Supported cameras	AXIS 213 PTZ, AXIS 214 PTZ, AXIS 215 PTZ, AXIS 231D+/232D+ <i>For a detailed statement of required mounting adapters see www.axis.com/accessories</i>
Casing	Plastic, black (nylon with mineral additives) Dome bubble in PMMA, smoked or clear Sunshield in ABS material. Color: White grey RAL9002
Power	AXIS 213 PTZ, AXIS 214 PTZ, AXIS 215 PTZ: 230 V AC, 44 W AXIS 231D+/232D+: external power supply, AXIS PS24 (5000-001): Input: 100-120/220-240 V AC, 50-60 Hz, 89 VA Output: 24 V AC, 63 VA
Environment	Indoor/outdoor

Operating conditions	AXIS 213 PTZ: -20 to 30 °C (-4 to 86 °F) AXIS 214 PTZ: -20 to 40 °C (-4 to 104 °F) AXIS 215 PTZ: -20 to 40 °C (-4 to 104 °F) AXIS 231D+/232D+: -20 to 50 °C (-4 to 122 °F) Fan-assisted heater On: 15 °C ±3 °C (59 °F) Off: 22 °C ±3 °C (71 °F)
Protection rating	IP65
Approvals	CE: EN 50081-1, EN 50082-1
Dimensions	Height, total: 325 mm (12.8") Height, body: 213 mm (8.4") Diameter, Total: 326 mm (12.8") incl. sunshield Diameter, bubble: 231 mm (9.1")
Weight	2.45 kg (5.4 lb.)
Available accessories	OPLEX24T Spare dome bubble, clear OPLEX24F Spare dome bubble, smoked

More information and a configuration tool is available at www.axis.com/accessories

Mounts

Wall mount



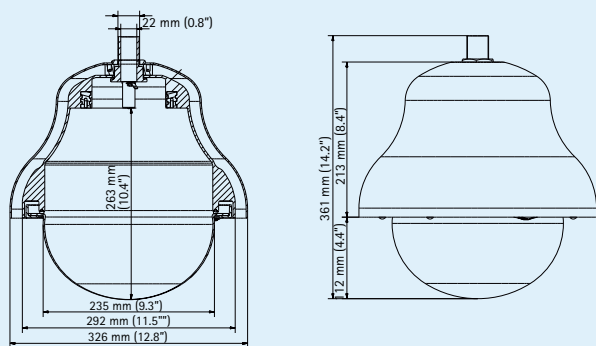
Parapet mount



Ceiling mount



Dimensions



Mounting adapters

Pole mount



Corner mount



Optional accessories

Mains power adapter



Waterproof junction box

