

## AXIS P5532 PTZ Dome Network Camera

Cost-effective pan/tilt/zoom camera with 29x zoom for indoor applications.



- > 29x optical zoom
- > IP51-rated protection against dust and dripping water
- > D1 resolution, H.264, day/night functionality
- > Advanced Gatekeeper
- > Power over Ethernet Plus (IEEE 802.3at)

AXIS P5532 PTZ Dome Network Camera presents a cost-effective, indoor pan/tilt/zoom surveillance solution with 29x zoom and high-quality H.264 video in D1 resolution. With an IP51-rated protection against dust and dripping water, it is ideal for use in airports, train stations, warehouses and shopping malls.

AXIS P5532 provides 29x optical and 12x digital zoom with autofocus. It can pan 360° due to the unique Auto-flip functionality, which allows the camera to continuously follow an object. The Advanced Gatekeeper functionality enables the camera to automatically move to a preset position when motion is detected in a pre-defined area.

The camera's day/night functionality allows high image quality to be maintained even in low light conditions. The PTZ camera delivers multiple, individually configurable video streams in H.264 and Motion JPEG at full frame rate in all resolutions up to D1 (720x480 in 60 Hz, 720x576 in 50 Hz). H.264 greatly optimizes bandwidth and storage without compromising image quality.

The camera's IP51 rating ensures reliable operation even in dusty and humid indoor conditions. Support for High Power over Ethernet also makes installation easy. A High PoE midspan is supplied.

When an optional multi-connector cable is used, AXIS P5532 supports two-way audio, audio detection, four configurable inputs/outputs for external devices and AC/DC power.

The camera's SD/SDHC slot enables recordings to be stored locally.



## Technical specifications – AXIS P5532 PTZ Dome Network Camera

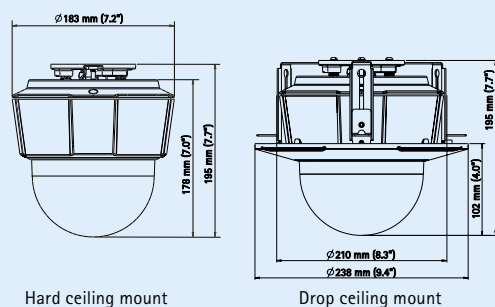
| Camera                               |   |
|--------------------------------------|---|
| <b>Models</b>                        | AXIS P5532 60 Hz; AXIS P5532 50 Hz  |
| <b>Image sensor</b>                  | 1/4" ExView HAD progressive scan CCD  |
| <b>Lens</b>                          | f=3.6 – 104.4 mm, F1.43 – 3.67, autofocus, automatic day/night<br>Horizontal angle of view: 53.1° – 2.0°  |
| <b>Minimum illumination</b>          | Color: 0.5 lux at 30 IRE F1.4<br>B/W: 0.01 lux at 30 IRE F1.4   |
| <b>Shutter time</b>                  | 1/30000 s to 1 s (60 Hz), 1/30000 s to 1/0.75 s (50 Hz)   |
| <b>Pan/tilt/zoom</b>                 | E-flip, Auto-flip, 100 preset positions<br>Pan: 360° (with Auto-flip), 0.2° – 300°/s<br>Tilt: 180°, 0.2° – 300°/s<br>29x optical zoom and 12x digital zoom, total 348x zoom   |
| <b>Pan/tilt/zoom functionalities</b> | Limited guard tour<br>Control queue<br>On-screen directional indicator  |
| Video                                |   |
| <b>Video compression</b>             | H.264 (MPEG-4 Part 10/AVC)<br>Motion JPEG   |
| <b>Resolutions</b>                   | D1 720x480 to 176x120 (60 Hz)<br>D1 720x576 to 176x144 (50 Hz)  |
| <b>Frame rate</b>                    | H.264: Up to 30/25 fps (60/50 Hz) in all resolutions<br>Motion JPEG: Up to 30/25 fps (60/50 Hz) in all resolutions  |
| <b>Video streaming</b>               | Multiple, individually configurable streams in H.264 and Motion JPEG<br>Controllable frame rate and bandwidth<br>VBR/CBR H.264  |
| <b>Image settings</b>                | Wide dynamic range (WDR), electronic image stabilization (EIS), manual shutter time, compression, color, brightness, sharpness, white balance, exposure control, exposure zones, backlight compensation, fine tuning of behavior at low light, rotation, aspect ratio correction, text and image overlay, privacy mask, image freeze on PTZ |
| Audio                                |   |
| <b>Audio streaming</b>               | Two-way   |
| <b>Audio compression</b>             | AAC-LC 8/16 kHz, G.711 PCM 8 kHz, G.726 ADPCM 8 kHz<br>Configurable bit rate  |
| <b>Input/output</b>                  | Requires multi-connector cable (not included) for external microphone or line input, and line output  |
| Network                              |   |
| <b>Security</b>                      | Password protection, IP address filtering, HTTPS encryption*, IEEE 802.1X network access control*, digest authentication, user access log   |
| <b>Supported protocols</b>           | IPv4/v6, HTTP, HTTPS*, SSL/TLS*, QoS Layer 3 DiffServ, FTP, CIFS/SMB, SMTP, Bonjour, UPnP™, SNMPv1/v2c/v3 (MIB-II), DNS, DynDNS, NTP, RTSP, RTP, TCP, UDP, IGMP, RTCP, ICMP, DHCP, ARP, SOCKS   |

| System integration                       |  |
|--|--|
| <b>Application Programming Interface</b> | Open API for software integration, including VAPIX® from Axis Communications, available at www.axis.com<br>Support for AXIS Video Hosting System (AVHS) with One-Click Camera Connection   |
| <b>Intelligent video</b>                 | Video motion detection, audio detection, Advanced Gatekeeper AXIS Camera Application Platform enabling installation of additional applications   |
| <b>Event triggers</b>                    | Video motion detection, audio detection, external input, PTZ preset, temperature, memory card full   |
| <b>Event actions</b>                     | File upload: FTP, HTTP, network share and email; notification: email, HTTP and TCP; external output activation; video and audio recording to edge storage; pre- and post-alarm video buffering; play audio clip  |
| <b>Data Streaming</b>                    | Event data   |
| <b>Built-in installation aids</b>        | Pixel counter  |
| General                                  |  |
| <b>Casing</b>                            | IP51-rated metal casing (aluminum), acrylic (PMMA) clear dome  |
| <b>Memory</b>                            | 256 MB RAM, 128 MB Flash   |
| <b>Power</b>                             | Power over Ethernet Plus (PoE+) IEEE 802.3at, max. 30 W<br>20–24 V AC, max. 20 VA<br>24–34 V DC, max. 15 W<br>AXIS T8123 High PoE Midspan 1-port: 100–240 V AC, max. 37 W  |
| <b>Connectors</b>                        | RJ-45 for 10BASE-T/100BASE-TX PoE<br>Multi-connector (cable not included) for AC/DC power, 4 configurable alarm inputs/outputs, mic in, line mono input, line mono output to active speaker  |
| <b>Edge storage</b>                      | SD/SDHC memory card slot (card not included)<br>Support for recording to network share (network-attached storage or file server)   |
| <b>Operating conditions</b>              | 0 °C to 50 °C (32 °F to 122 °F)<br>Humidity 15 – 85% RH (non-condensing)   |
| <b>Approvals</b>                         | EN 55022 Class B, EN 61000-3-2, EN 61000-3-3, EN 61000-6-1, EN 61000-6-2, EN 55024, FCC Part 15 Subpart B Class B, ICES-003 Class B, VCCI Class B, C-tick AS/NZS CISPR 22, EN 60950-1, KCC Class B IP51 IEC 60721-4-3 Class 3K3, 3M3, EN/IEC 60068-2 Midspan: EN 60950-1, GS, UL, cUL, CE, FCC, VCCI, CB, KCC, UL-AR |
| <b>Weight</b>                            | Camera: 1.9 kg (4.2 lb.)<br>Camera with drop-ceiling mount: 2.3 kg (5.1 lb.)   |
| <b>Included accessories</b>              | AXIS T8123 High PoE Midspan 1-port, mounting kit for hard and drop ceilings, smoked dome cover, Installation Guide, Installation and Management Software CD, Windows decoder 1-user license  |

\*This product includes software developed by the OpenSSL Project for use in the OpenSSL Toolkit. (www.openssl.org)

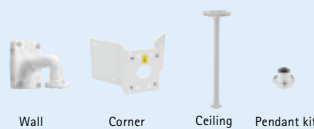
More information is available at [www.axis.com](http://www.axis.com)

### Dimensions



### Optional accessories

#### AXIS T91A Mounting Accessories



#### AXIS T90A Illuminators



#### AXIS T8310 Video Surveillance Control Board



Multi-connector cable for AC/DC power, I/Os and audio



AXIS Camera Companion (included), AXIS Camera Station and video management software from Axis' Application Development Partners (not included). For more information, see [www.axis.com/products/video/software](http://www.axis.com/products/video/software)