

AXIS M5013-V/M5014-V PTZ Dome Network Cameras

Vandal-resistant PTZ domes that give the big picture.



- > Pan, tilt, zoom in an vandal-resistant casing
- > HDTV 720p/SVGA and H.264
- > IP66- and IK10-rated
- > Power over Ethernet (IEEE 802.3af)
- > Indoor use

With their 360° surveillance, AXIS M50-V cameras can be used to create a safe and secure environment, identifying potential threats, and staying one step ahead of vandalism and crime.

The vandal-resistant AXIS M5013-V/M5014-V, mounted on a hard ceiling, enable flexible coverage over a 400 sq. m. (4300 sq. ft.) area, with a $\pm 180^\circ$ pan, 90° tilt and 3x digital zoom. The cameras help to cost-effectively monitor train platforms and boarding areas and to manage one or more locations while improving security.

AXIS M5013-V provides full frame rate video in SVGA 800x600 resolution. AXIS M5014-V provides HDTV 720p which entails a 1280x720 resolution, progressive scan, HDTV color fidelity, full frame rate and a 16:9 format.

With an IP66 rating, the cameras are protected against the ingress of dust and high pressure water jets from any direction. AXIS M50-V also support IK10 rating for protection against impact and vandal acts. The installation is quick and easy thanks to one cable-installation with Power over Ethernet.

AXIS M50-V support multiple H.264 and Motion JPEG video streams. H.264 greatly optimizes bandwidth and storage use without compromising image quality. The memory card slot enables several days of recording on a SD card.

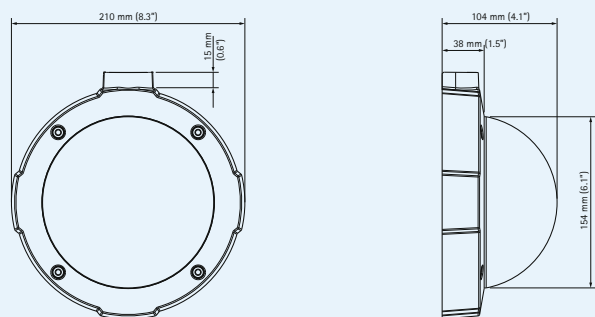


Technical Specifications – AXIS M50–V PTZ Dome Network Cameras

Camera	
Image sensor	1/4" progressive scan RGB CMOS
Lens	3.6 mm, F1.8 AXIS M5013–V: 45° horizontal angle of view AXIS M5014–V: 60° horizontal angle of view
Minimum illumination	1.4 lux, F1.8
Shutter time	1/25000 s to 1/6 s
Pan/Tilt/Zoom	25 preset positions Pan: ±180°, 100°/s Tilt: 90°, 100°/s Zoom: 3x digital
Video	
Video compression	H.264 (MPEG-4 Part 10/AVC) Motion JPEG
Resolutions	AXIS M5013–V: SVGA 800x600 to 320x180 AXIS M5014–V: HDTV 720p 1280x720 to 320x180
Frame rate H.264	25/30 fps in all resolutions
Frame rate Motion JPEG	25/30 fps in all resolutions
Video streaming	Multiple, individually configurable streams in H.264 and Motion JPEG Controllable frame rate and bandwidth VBR/CBR H.264
Image settings	Manual shutter time, compression, color, brightness, sharpness, contrast, white balance, exposure control, exposure zones, rotation, backlight compensation, fine tuning of behavior at low light, text overlay
Network	
Security	Password protection, IP address filtering, HTTPS* encryption, IEEE 802.1X network access control*, digest authentication, user access log
Supported protocols	IPv4/v6, HTTP, HTTPS*, SSL/TLS*, QoS Layer 3 DiffServ, FTP, CIFS/SMB, SMTP, Bonjour, UPnP™, SNMPv1/v2c/v3(MIB-II), DNS, DynDNS, NTP, RTSP, RTP, TCP, UDP, IGMP, RTCP, ICMP, DHCP, ARP, SOCKS

*This product includes software developed by the OpenSSL Project for use in the OpenSSL Toolkit. (www.openssl.org)

Dimensions



System integration

Application Programming Interface	Open API for software integration, including VAPIX® and AXIS Camera Application Platform from Axis Communications, available at www.axis.com ONVIF Profile S, specification available at www.onvif.org AXIS Video Hosting System (AVHS) with One-Click Camera Connection
Intelligent video	Video motion detection, AXIS Camera Application Platform enabling installation of additional applications
Event triggers	Video motion detection, AXIS Camera Application Platform, PTZ preset, memory card full
Event actions	File upload: FTP, HTTP, network share and email Notification: email, HTTP and TCP Go to PTZ preset Video recording to edge storage Pre- and post-alarm video buffering
Built-in installation aids	Pixel counter
General	
Casing	IP66-rated and IK10 impact-resistant plastic casing, clear dome
Memory	256 MB RAM, 128 MB Flash
Power	Power over Ethernet IEEE 802.3af Class 3
Connectors	RJ45 10BASE-T/100BASE-TX PoE
Edge storage	MicroSD/microSDHC/microSDXC slot supporting memory card up to 64 GB (card not included) Support for recording to network share (network-attached storage or file server)
Operating conditions	Humidity 10 - 85% RH (non-condensing) 0 °C to 40 °C (32 °F to 104 °F)
Approvals	EN 55022 Class A, EN 61000-6-1, EN 61000-6-2, EN 55024, FCC Part 15 Subpart B Class B, ICES-003, VCCI Class B, C-tick AS/NZS CISPR 22, KC Class A, EN 60950-1 IEC 60529 IP66, IEC 62262 IK10
Weight	940 g (2.1 lb.)
Included accessories	Installation Guide, Installation and Management Software CD, Windows decoder 1-user license

More information is available at www.axis.com

Optional accessories

AXIS T8414 Installation Display



AXIS T8120 Midspan 15 W 1-port



AXIS T90A White LED Illuminators



AXIS Camera Companion, AXIS Camera Station and video management software from Axis' Application Development Partners. For more information, see www.axis.com/products/video/software/