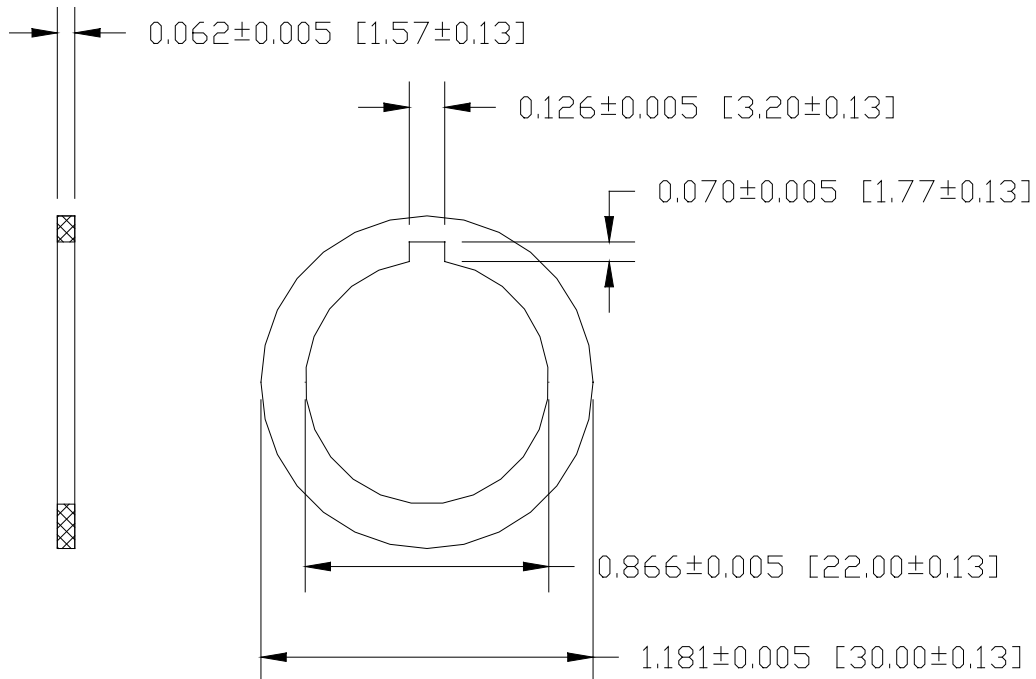


Neoprene Gasket

Helps seal panel hole to achieve NEMA Type 3R, 4X, & 12 application requirements



Material:
Neoprene/EPDM/SBR
Economy Blend
4216-S

Assembly Procedure

Remove knurled nut and assemble ACC06 gasket onto threaded neck of "Z Series" Sonalert[®]. Gasket needs to be on external side of Panel.

Secure with mounting nut. Hand tighten only.

Material: Neoprene/EPDM/SBR Economy Blend 4216-S.

UL50, C22.2 No.94, NEMA Type 3R, 4X, & 12, and IP66 approved, RoHS compliant, Gasket.