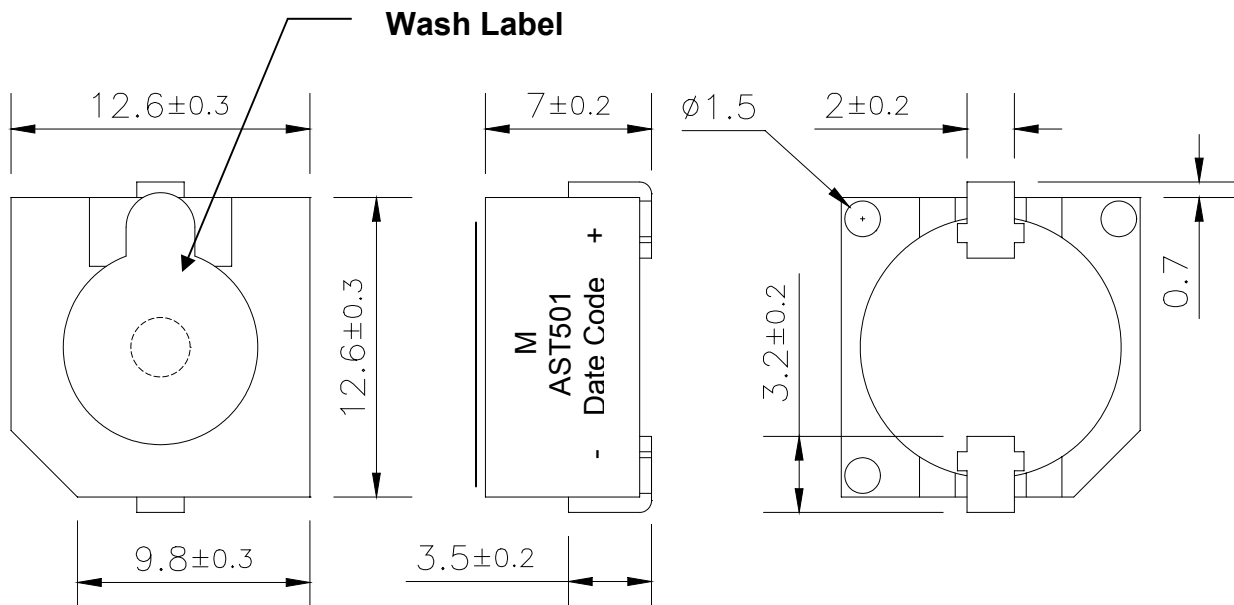


Specifications:

Resonant Frequency (Hz)	2400
Operating Voltage (Vp-p)	1.0 ~ 2.0
Rated Voltage (Vp-p)	1.5
Current Consumption Max. (mA)	50 at Rated Voltage
Sound Pressure Level Min. (dB)	85 at 10cm at Rated Voltage
Coil Resistance (Ω)	15 ± 3
Operating Temperature ($^{\circ}\text{C}$)	$-20 \sim +70$
Storage Temperature ($^{\circ}\text{C}$)	$-30 \sim +80$
Housing	PPO plastic resin (Color: Gray)
Type of Connection Terminals	SMD
Weight (Grams)	2.6
Options	For other options contact factory

PS: Vp-p = 1/2duty, square wave

RoHS Complaint**Dimensions:** (units: mm)**Packaging:**

Parts are supplied on reels (450 pcs per reel).

Frequency Response: