



**Mallory Sonalert Products, Inc.**

Part #:

**SC208NR**

**Sales Outline Drawing**

Revision:

**B**

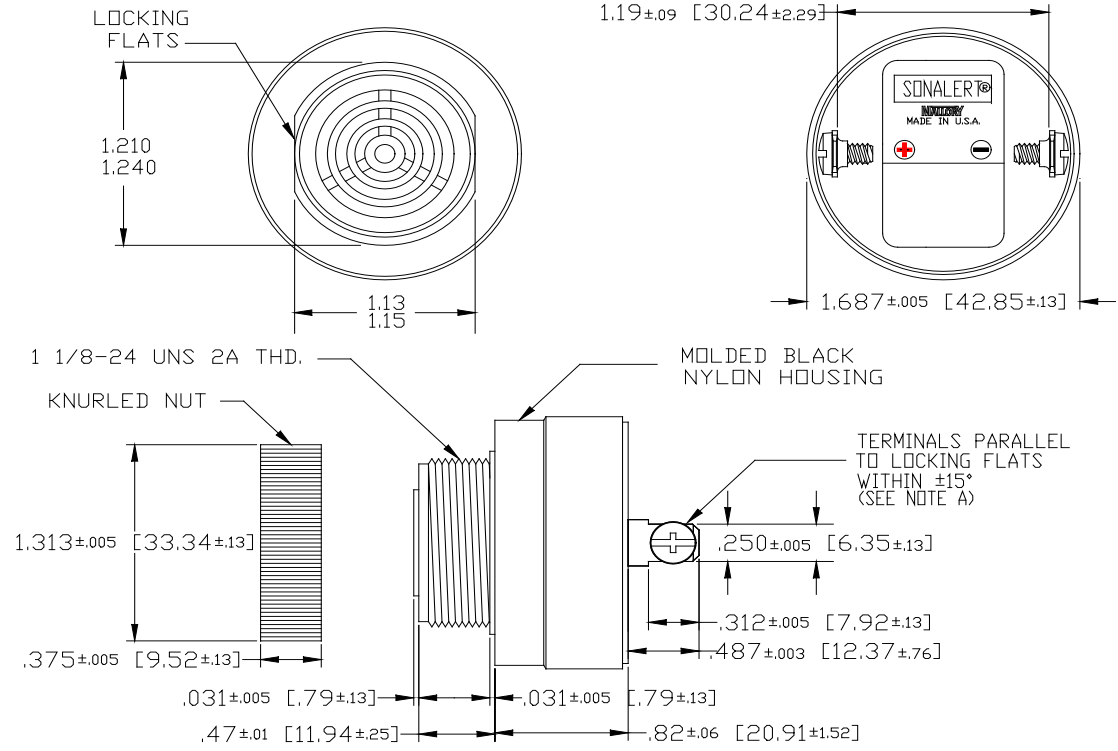
**Specifications:**

Sound Level Category	Loud
Mode of Operation	Continuous
Voltage Rating	1.8 to 8 VDC
Frequency	2900 ± 500 Hz
Loudness @ 2 FT	90 to 101 dB(A) Typ.
Current Draw	40mA MAX
Housing Material	6/6 Nylon, Color: Black
Storage Temperature	-40° to +85°C
Operating Temperature	-32° to +65°C
Panel Mounting	Recommended hole size is 1.25"(31.75mm). Thread front will fit standard 30mm(1.181") hole.
Knurled Nut	Used to attach part to panel. The max recommended torque is 10 in-lbs.
Weight (Typical)	1.6 oz (45g)
NEMA 3R,4X, & 12	Approved with use of ACC03.
IP67	Approved with use of ACC08 or ACC09.
Options	Please contact factory.

**Dimensions:**

Inches (mm)

**ROHS Compliant**



NOTE A: TERMINALS-.032 BRASS TIN PLATED, TAPPED FOR #6-32 SCREW. TWO #6-32 NICKEL PLATED BRASS SCREWS INCLUDED. WILL ACCEPT 1/4" QUICK CONNECT.

NOTE B: MOUNTING- REMOVE BLACK PLASTIC NUT AND INSERT THREADED FRONT THROUGH 1.25" HOLE PUNCHED IN PANEL, IF ORIENTATION IS NEEDED, NOTE LOCKING FLATS ON DRAWING. SCREW NUT BACK ON. DO NOT OVERTIGHTEN.